

AGRI BELTS

PRODUCT CATALOGUE



PIX
BELTS & HOSES

PIX
BELTS & HOSES

**Agri
V-Belts**

Contents

| PARTICULARS | PAGE NO. |
|-------------------------------------|----------|
| INTRODUCTION | 1 |
| CLAAS DOMINATOR 100 -105 | 2 |
| CLAAS DOMINATOR 56 - 66 | 2 |
| CLAAS DOMINATOR 58 | 3 |
| CLAAS DOMINATOR 68 | 3 |
| CLAAS DOMINATOR 76 | 4 |
| CLAAS DOMINATOR 78 | 4 |
| CLAAS DOMINATOR 80 - 85 | 5 |
| CLAAS DOMINATOR 86 | 5 |
| CLAAS DOMINATOR 96 | 6 |
| CLAAS DOMINATOR 98 S/SL | 6 |
| CLAAS MATADOR | 7 |
| CLAAS MERCATOR S70-75 | 7 |
| CLASS MERCUR | 8 |
| CLAAS PROTECTOR | 8 |
| CLAAS SENATOR 80 - 85 | 9 |
| NEW REFERENCES | 9 |
| NEW REFERENCES | 10 |
| NEW HOLLAND 8040 - 8055 | 10 |
| NEW HOLLAND 8030 | 11 |
| NEW HOLLAND 8050 - 8060 | 11 |
| NEW HOLLAND 8070 | 12 |
| NEW HOLLAND 8080 | 12 |
| NEW HOLLAND TX30 | 13 |
| NEW HOLLAND TX30 RH | 13 |
| NEW HOLLAND TX32 | 14 |
| NEW HOLLAND TX32 | 14 |
| NEW HOLLAND TF42 | 15 |
| NEW HOLLAND TF44 | 15 |
| NEW HOLLAND TF46 | 16 |
| NEW HOLLAND TX34 | 16 |
| NEW HOLLAND TX36 | 17 |
| NEW HOLLAND TX36 | 17 |
| NEW REFERENCES | 18 |
| JOHN DEERE 330 - 430 | 18 |
| JOHN DEERE 530 - 630 - 730 | 19 |
| JOHN DEERE 925 | 19 |
| JOHN DEERE 930 - 940 | 20 |
| JOHN DEERE 950 - 960 - 970 | 20 |
| MASSEY FERGUSON 24 | 21 |
| MASSEY FERGUSON 760/765/780/860/865 | 21 |
| LAVERDA M100M120 | 22 |
| LAVERDA 3350 ex.m112al | 22 |
| LAVERDA M132 | 23 |
| LAVERDA 3350 exm112 | 23 |
| LAVERDA 3450 | 24 |
| LAVERDA 3300/3300al | 24 |
| LAVERDA 3600/3700/3790 | 25 |
| LAVERDA 3900 | 25 |
| DEUTZ FAHR TOPLINER 460 | 26 |
| NEW REFERENCES-"CASE" | 26 |
| PREVENTIVE MAINTENANCE TIPS | 27 |
| PREVENTIVE MAINTENANCE TIPS | 28 |
| TYPES OF FAILURES | 29 |
| DO'S AND DON'TS | 29 |
| NOTES | 30 |

PIX AGRI BELTS

PIX Agribelts are available in different types e.g. Regular section, Hexagonal section, Variable speed belts and Banded. They are specially made to provide maximum service life in the practical application.

Hexagonal section provides the stability and support to transmit power on Agricultural serpentine drives.

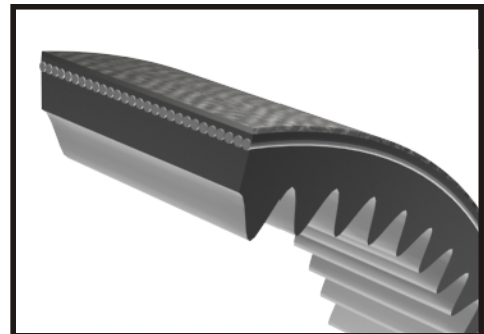
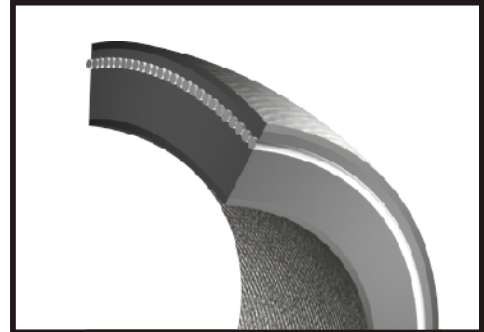
Agriculture Variable Speed Belts are specially designed to withstand the high ambient temperature and oily conditions generally encountered in adjustable speed applications. For heavy duty application these belts are provided with special type of fabric at bottom for the extra flexibility required on small diameter pulleys and also with fibre filled compound on top side to impart extra rigidity in transverse direction. This enables the belt to withstand the forces and loads subjected during movement inside split type of pulleys.

The notable feature of Agricultural Variable Speed belts is that they transmit much higher loads over a narrower speed range. Therefore, Agricultural Variable Speed belts require higher tensile strength and are thicker with more reinforcement in the tensile support than Industrial belts.

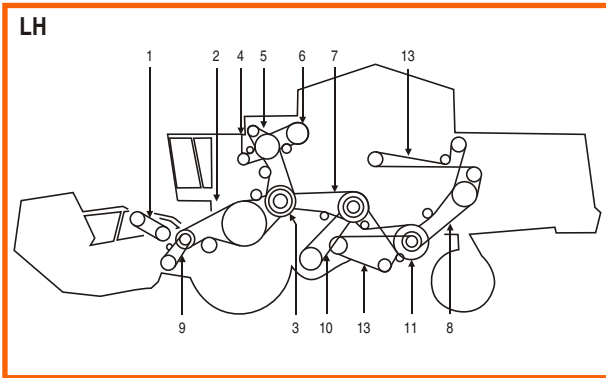
PIX Banded belts are more suitable in conditions where high vibrations and shock loads are expected.

Salient features of PIX Agribelts

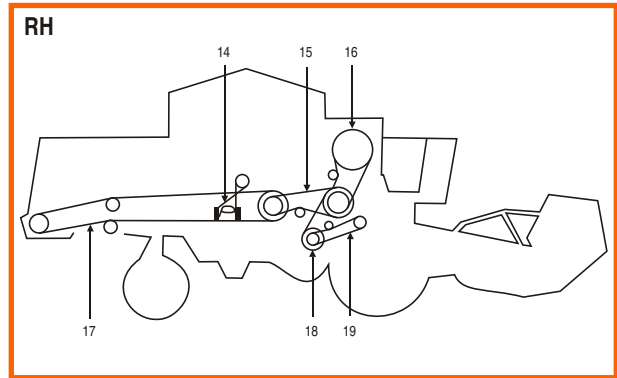
- PIX Agribelts are designed for efficient power transmission with minimised heat generation.
- A special rubber compound with textile fibre oriented across the transverse direction of length of the Cut Edge Belts provides high stability and minimizes deflection in the cross section.
- The minimum stretch stiff polyester cords have been designed for heavy power transmission, while at the same time ensuring a very high degree of length stability.
- The sides of the belts have excellent abrasion resistant properties contributing significantly to long and useful belt life.
- Moulded cogs reduces bending stresses and improves heat dissipation in Cut Edge construction.



CLAAS DOMINATOR 100 - 105



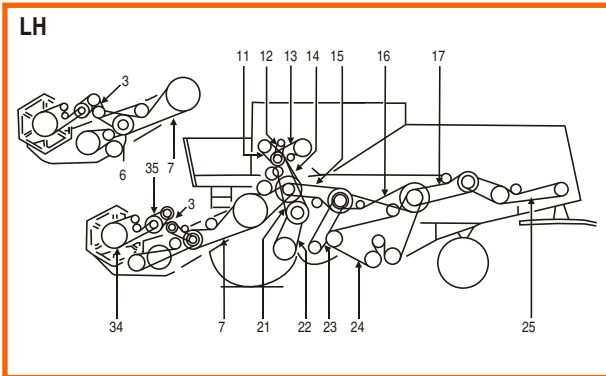
| ITEM | OEM REF. | PIX REF. | DESCRIPTION |
|------|----------|----------|---------------------|
| 1 | 670224.0 | HC670224 | Variable speed reel |
| 2 | 672353.0 | HC672353 | Cutting table |
| 3 | 629000.1 | HC629000 | Threshing machine |
| 4 | 629001.0 | HC629001 | Hyd pump traction |
| 5 | 629002.1 | HC629002 | Hyd pump |
| 6 | 673614.0 | HC673614 | Grain tank |
| 7 | 672358.0 | HC672358 | Shaker shoe |
| 8 | 629036.0 | HC629036 | Straw walker |
| 9 | 629214.0 | HC629214 | Knife drive |
| 10 | 671209.0 | HC671209 | Variable speed fan |



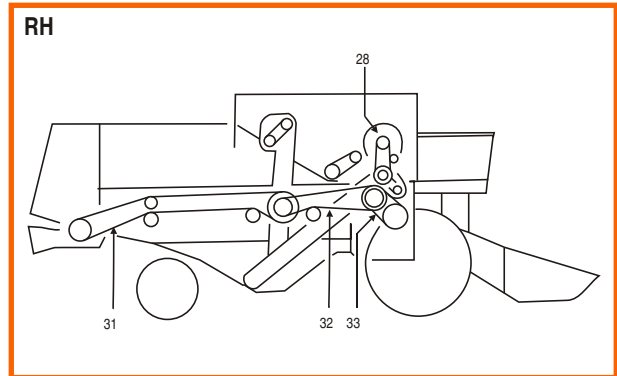
| ITEM | OEM REF. | PIX REF. | DESCRIPTION |
|------|-----------------|-----------------|----------------------------|
| 11 | 672359.1 | HC672359 | Shaker shoe return |
| 12 | 629081.1 | HC629081 | Grain auger |
| 13 | 629732.1 | HC629732 | Elevator |
| * 14 | <i>501925.0</i> | <i>HC501925</i> | <i>Feeder elevator</i> |
| * 15 | <i>060306.2</i> | <i>HC060306</i> | <i>Countershaft</i> |
| * 16 | <i>802931.0</i> | <i>HC802931</i> | <i>Air in-take</i> |
| * 17 | <i>061253.1</i> | <i>HC061253</i> | <i>Straw chopper</i> |
| * 18 | <i>629035.0</i> | <i>HC629035</i> | <i>Cylinder vari drive</i> |
| * 19 | <i>629510.1</i> | <i>HC629510</i> | <i>Threshing machine</i> |

* The text in *italics* indicates part numbers that belongs to RHS of the image.

CLAAS DOMINATOR 56 - 66



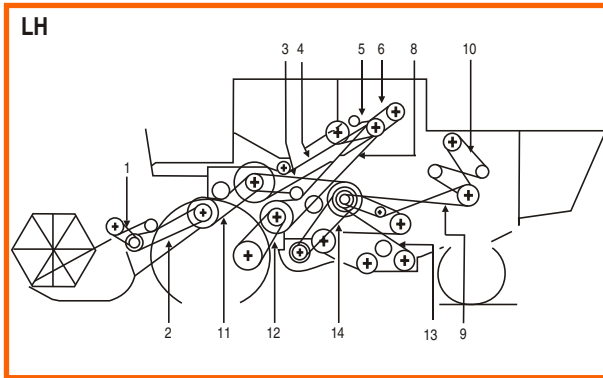
| ITEM | OEM REF. | PIX REF. | DESCRIPTION |
|------|----------|----------|--------------------|
| 1 | 670224.0 | HC670224 | Variable speed |
| 2 | 656028.0 | HC656028 | Hydraulic pump |
| 3 | 670224.0 | HC670224 | Variable speed |
| 6 | 603122.0 | HC603122 | Feed drive |
| 11 | 767057.0 | HC767057 | Hydraulic pump |
| 12 | 621903.0 | HC621903 | A/c compressor |
| 13 | 673614.0 | HC673614 | Grain unload auger |
| 14 | 671012.1 | HC671012 | Drum drive |
| 15 | 603337.0 | HC603337 | Fanning mill |
| 16 | 603336.1 | HC603336 | Shaker shoe drive |
| 17 | 506671.1 | HC506671 | Walker drive |



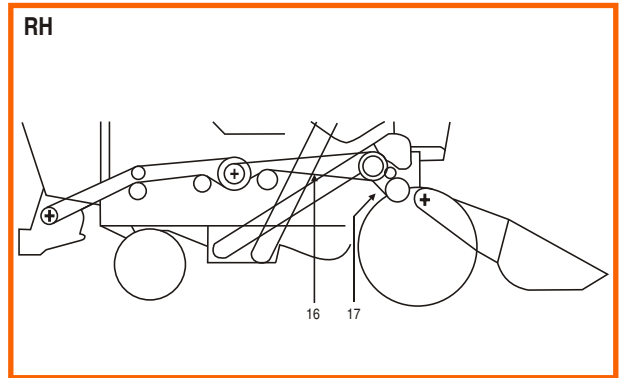
| ITEM | OEM REF. | PIX REF. | DESCRIPTION |
|------|-----------------|-----------------|----------------------------|
| 21 | 629436.0 | HC629436 | Drive |
| 22 | 629756.0 | HC629756 | Land drive |
| 23 | 671209.0 | HC671209 | Fanning mill |
| 24 | 603017.3 | HC603017 | Sieve drum drive |
| 25 | 635494.0 | HC635494 | Straw spreader |
| 35 | 629214.0 | HC629214 | Reel drive |
| 35 | 056961.0 | HC056961 | Reel variator |
| * 28 | <i>783430.1</i> | <i>HC783430</i> | <i>Rotary screen</i> |
| * 31 | <i>061361.1</i> | <i>HC061361</i> | <i>Chopper drive</i> |
| * 32 | <i>060306.2</i> | <i>HC060306</i> | <i>Counter shaft drive</i> |
| * 33 | <i>603015.1</i> | <i>HC603015</i> | <i>Variator drum</i> |

* The text in *italics* indicates part numbers that belongs to RHS of the image.

CLAAS DOMINATOR 58



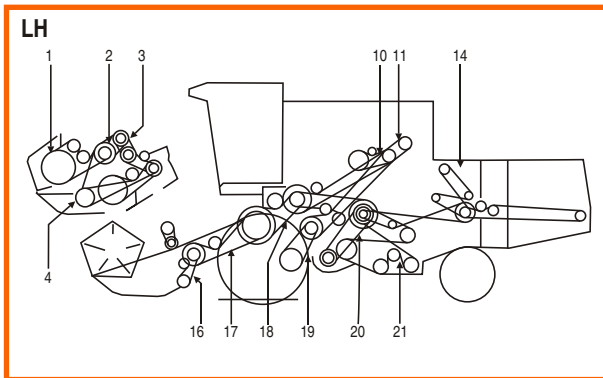
| ITEM | OEM REF. | PIX REF. | DESCRIPTION |
|------|----------|----------|--------------------|
| 1 | 778561.0 | HC778561 | Pick up reel |
| 2 | 724301.0 | HC724301 | Cutter table |
| 3 | 724141.0 | HC724141 | Fanning mill |
| 4 | 724100.0 | HC724100 | Threshing mech |
| 5 | 673614.0 | HC673614 | Grain tank unload |
| 6 | 767057.0 | HC767057 | Hydraulic pump |
| 7 | 783268.1 | HC783268 | Compressor (set 2) |
| 8 | 724180.0 | HC724180 | Fan drive |
| 8 | 724181.0 | HC724181 | Fan drive |
| 9 | 785176.0 | HC785176 | Straw walker |



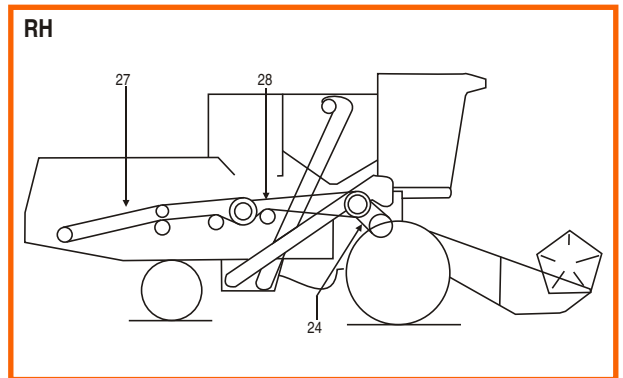
| ITEM | OEM REF. | PIX REF. | DESCRIPTION |
|------|-----------------|-----------------|----------------------------|
| 10 | 802931.0 | HC802931 | Air intake |
| 11 | 724168.0 | HC724168 | Feed drive |
| 11 | 724339.0 | HC724339 | Feed drive |
| 12 | 629756.0 | HC629756 | Land drive |
| 13 | 724247.0 | HC724247 | Impellor |
| 14 | 603380.0 | HC603380 | Cleaning fan |
| * 15 | <i>061902.0</i> | <i>HC061902</i> | <i>Chopper drive</i> |
| * 16 | <i>061872.0</i> | <i>HC061872</i> | <i>Chopper drive final</i> |
| * 17 | <i>603015.1</i> | <i>HC603015</i> | <i>Variator drum</i> |
| * 17 | <i>628630.0</i> | <i>HC628630</i> | <i>Variator drum</i> |

* The text in *italics* indicates part numbers that belongs to RHS of the image.

CLAAS DOMINATOR 68



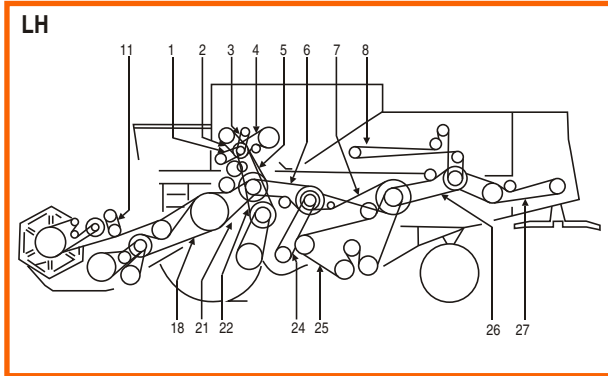
| ITEM | OEM REF. | PIX REF. | DESCRIPTION |
|------|----------|----------|---------------------------|
| 1 | 603284.0 | HC603284 | Reel drive |
| 2 | 056961.0 | HC056961 | Reel variator |
| 3 | 670224.0 | HC670224 | Variable speed |
| 4 | 603283.0 | HC603283 | Knife drive up to 3 MT |
| 4 | 731506.2 | HC731506 | Knife drive 3.6 - 5.10 MT |
| 10 | 673614.0 | HC673614 | Grain tank unload |
| 11 | 767057.0 | HC767057 | Hydraulic pump |
| 14 | 802931.0 | HC802931 | Air intake |
| 16 | 629214.0 | HC629214 | Knife drive |



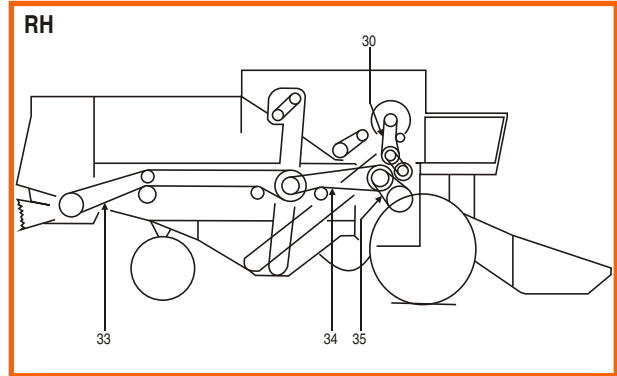
| ITEM | OEM REF. | PIX REF. | DESCRIPTION |
|------|-----------------|-----------------|----------------------|
| 17 | 629836.1 | HC629836 | Feeder drive (set 2) |
| 18 | 673638.0 | HC673638 | Straw elevator |
| 19 | 629756.0 | HC629756 | Land drive |
| 20 | 603380.0 | HC603380 | Fan variator |
| 21 | 724247.0 | HC724247 | Drum impellor |
| * 24 | <i>603015.1</i> | <i>HC603015</i> | <i>Drum variator</i> |
| * 27 | <i>061902.0</i> | <i>HC061902</i> | <i>Straw chopper</i> |
| * 28 | <i>061872.0</i> | <i>HC061872</i> | <i>Straw chopper</i> |

* The text in *italics* indicates part numbers that belongs to RHS of the image.

CLAAS DOMINATOR 76



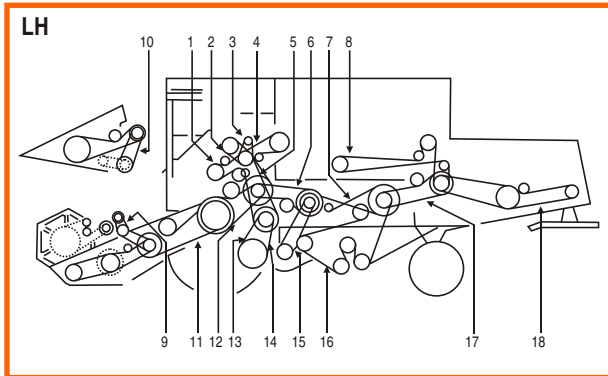
| ITEM | OEM REF. | PIX REF. | DESCRIPTION |
|------|----------|----------|---------------------------|
| 1 | 603625.0 | HC603625 | Hydro pump traction drive |
| 2 | 767057.0 | HC767057 | Hydraulic pump |
| 3 | 621903.0 | HC621903 | A/c compressor drive |
| 4 | 673614.0 | HC673614 | Grain tank unload |
| 5 | 671012.0 | HC671012 | Main drive |
| 6 | 603337.0 | HC603337 | Fanning mill |
| 6 | 672358.0 | HC672358 | Fanning mill |
| 7 | 603336.1 | HC603336 | Shaker drive |
| 7 | 672359.1 | HC672359 | Shaker drive |
| 8 | 629732.1 | HC629732 | Elevator drive |
| 11 | 670224.0 | HC670224 | Reel vari speed |
| 18 | 603122.0 | HC603122 | Feeder drive |



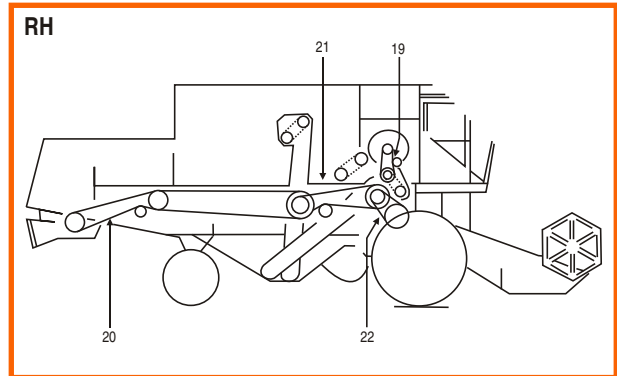
| ITEM | OEM REF. | PIX REF. | DESCRIPTION |
|------|----------|----------|-------------------------|
| 20 | 629214.0 | HC629214 | Knife drive |
| 21 | 673638.0 | HC673638 | Straw elevator |
| 22 | 629436.0 | HC629436 | Traction drive |
| 24 | 671209.0 | HC671209 | Fanning mill vari speed |
| 25 | 603017.3 | HC603017 | Returns auger |
| 26 | 506671.1 | HC506671 | Straw walker |
| 27 | 623427.1 | HC623427 | Straw spreader |
| * 30 | 783430.0 | HC783430 | Rotary screen |
| * 33 | 061360.0 | HC061360 | Straw chopper |
| * 34 | 060306.0 | HC060306 | Counter shaft |
| * 35 | 603015.1 | HC603015 | Drum variator |

* The text in *italics* indicates part numbers that belongs to RHS of the image.

CLAAS DOMINATOR 78



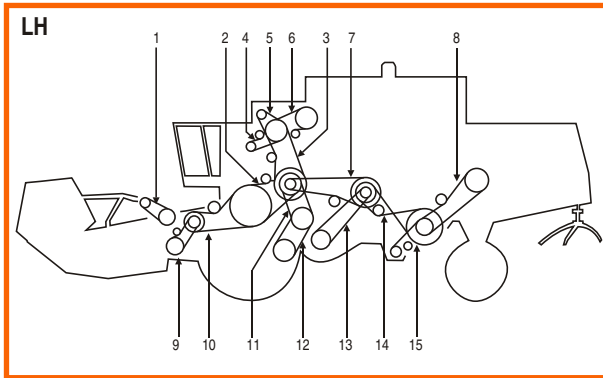
| ITEM | OEM REF. | PIX REF. | DESCRIPTION |
|------|----------|----------|---------------------------|
| 1 | 603625.0 | HC603625 | Hydro pump traction drive |
| 2 | 767057.0 | HC767057 | Hydraulic pump |
| 3 | 629908.1 | HC629908 | A/C Compressor drive |
| 4 | 673614.0 | HC673614 | Grain tank unload |
| 5 | 671012.0 | HC671012 | Main drive |
| 6 | 603337.0 | HC603337 | Fanning mill |
| 6 | 672358.0 | HC672358 | Fanning mill |
| 7 | 603336.1 | HC603336 | Shaker drive |
| 7 | 672359.1 | HC672359 | Shaker drive |
| 8 | 629732.1 | HC629732 | Elevator drive |
| 9 | 670224.0 | HC670224 | Reel vari speed |
| 10 | 778717.0 | HC778717 | Cutting table |



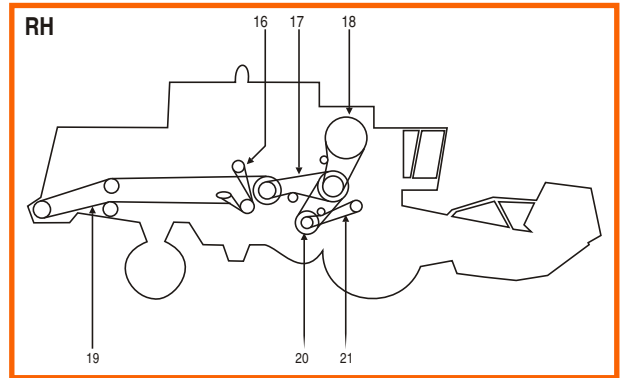
| ITEM | OEM REF. | PIX REF. | DESCRIPTION |
|------|----------|----------|-----------------------------|
| 11 | 629836.0 | HC629836 | Feed drive |
| 12 | 673638.0 | HC673638 | Cutting table clutch |
| 13 | 603427.0 | HC603427 | Traction drive |
| 14 | 603317.0 | HC603317 | Variator traction drive |
| 15 | 671209.0 | HC671209 | Variable speed fanning mill |
| 16 | 603017.3 | HC603017 | Returns auger |
| 17 | 506671.0 | HC506671 | Straw walker |
| 18 | 623427.1 | HC623427 | Straw spreader |
| * 19 | 603341.0 | HC603341 | Rotary screen |
| * 20 | 061360.0 | HC061360 | Straw chopper |
| * 21 | 060306.0 | HC060306 | Counter shaft |
| * 22 | 628630.0 | HC628630 | Drum Variator |

* The text in *italics* indicates part numbers that belongs to RHS of the image.

CLAAS DOMINATOR 80-85



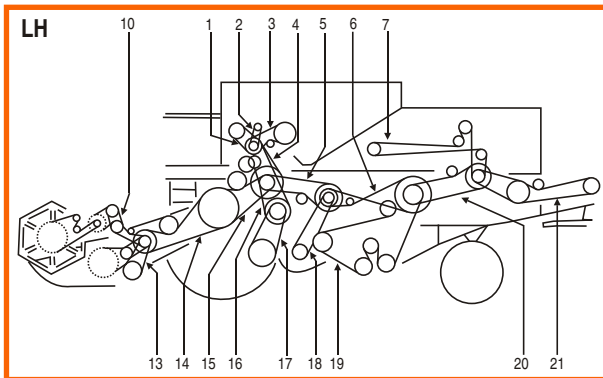
| ITEM | OEM REF. | PIX REF. | DESCRIPTION |
|------|----------|----------|-------------------------|
| 1 | 670224.0 | HC670224 | Reel speed |
| 2 | 560562.0 | HC560562 | Cylinder drive |
| 3 | 671012.1 | HC671012 | Main drive |
| 4 | 673625.0 | HC673625 | Hydraulic pump traction |
| 5 | 532011.1 | HC532011 | Hydraulic pump |
| 6 | 656028.0 | HC656028 | Hydraulic pump |
| 7 | 672358.0 | HC672358 | Shaker drive |
| 8 | 673601.0 | HC673601 | Straw walker |
| 9 | 769202.0 | HC769202 | Knife drive |
| 10 | 778717.0 | HC778717 | Table drive |
| 11 | 720866.0 | HC720866 | Traction drive |
| 12 | 671083.0 | HC671083 | Traction drive |



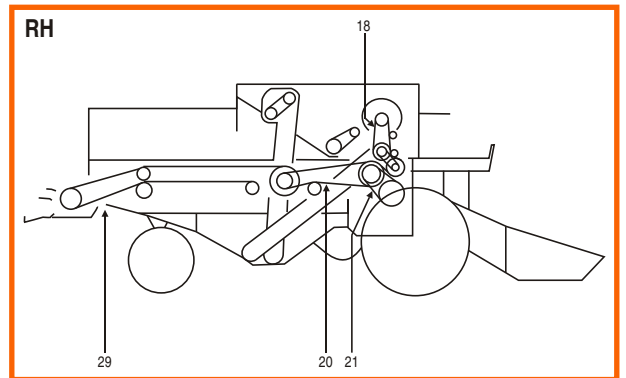
| ITEM | OEM REF. | PIX REF. | DESCRIPTION |
|-------|-----------------|-----------------|----------------------------|
| 13 | 671209.0 | HC671209 | Variable speed |
| 14 | 672359.0 | HC672359 | Shaker shoe |
| 15 | 673690.1 | HC673690 | Grain auger |
| * 16 | <i>501925.0</i> | <i>HC501925</i> | <i>Feeder auger</i> |
| * 17 | <i>060306.2</i> | <i>HC060306</i> | <i>Counter shaft</i> |
| * 18 | <i>802931.0</i> | <i>HC802931</i> | <i>Air intake</i> |
| * 19 | <i>060949.1</i> | <i>HC060949</i> | <i>Straw chopper</i> |
| * 20 | <i>671015.0</i> | <i>HC671015</i> | <i>Vari speed cylinder</i> |
| * 21 | <i>671012.1</i> | <i>HC671012</i> | <i>Threshing</i> |
| * N/I | <i>629035.1</i> | <i>HC629035</i> | <i>Cylinder drive</i> |
| * N/I | <i>629214.1</i> | <i>HC629214</i> | <i>Knife drive</i> |

* The text in *italics* indicates part numbers that belongs to RHS of the image.

CLAAS DOMINATOR 86



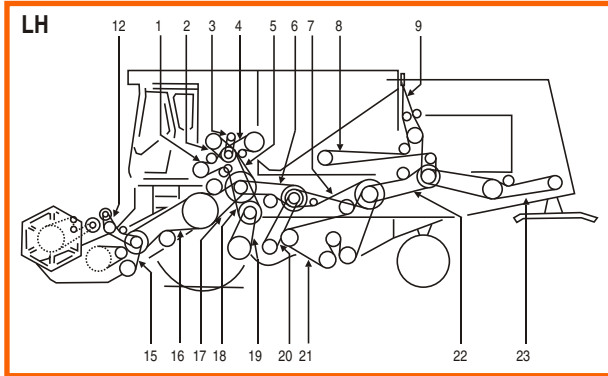
| ITEM | OEM REF. | PIX REF. | DESCRIPTION |
|------|----------|----------|--------------------|
| 1 | 767057.0 | HC767057 | Hydraulic pump |
| 2 | 621903.0 | HC621903 | Air con compressor |
| 3 | 673614.0 | HC673614 | Grain tank |
| 4 | 671012.0 | HC671012 | Drum drive |
| 5 | 603337.0 | HC603337 | Fanning mill |
| 6 | 603336.1 | HC603336 | Shaker drive |
| 7 | 629732.1 | HC629732 | Elevator |
| 10 | 670224.0 | HC670224 | Reel vari |
| 13 | 629214.0 | HC629214 | Knife drive |
| 14 | 603122.0 | HC603122 | Feed drive |
| 15 | 673638.0 | HC673638 | Drive power band |



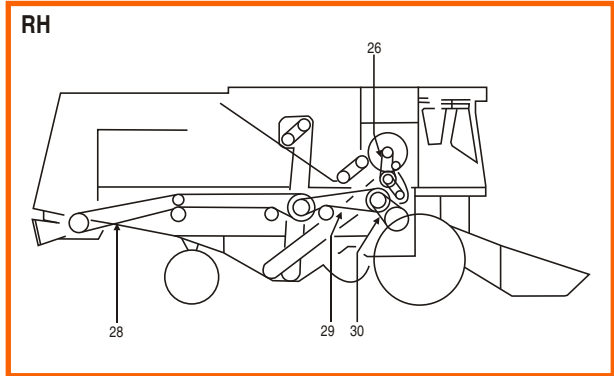
| ITEM | OEM REF. | PIX REF. | DESCRIPTION |
|------|-----------------|-----------------|-----------------------|
| 16 | 603427.0 | HC603427 | Traction drive |
| 17 | 603317.0 | HC603317 | Land wheel |
| 19 | 603017.0 | HC603017 | Returns auger |
| 24 | 603341.0 | HC603341 | Rotary screen |
| 27 | 060306.2 | HC060306 | Counter drive shaft |
| 28 | 603015.1 | HC603015 | Drum variator |
| * 18 | <i>671209.0</i> | <i>HC671209</i> | <i>Returns auger</i> |
| * 20 | <i>506671.1</i> | <i>HC506671</i> | <i>Straw walker</i> |
| * 21 | <i>635494.0</i> | <i>HC635494</i> | <i>Straw spreader</i> |
| * 29 | <i>061361.1</i> | <i>HC061361</i> | <i>Straw chopper</i> |

* The text in *italics* indicates part numbers that belongs to RHS of the image.

CLAAS DOMINATOR 96



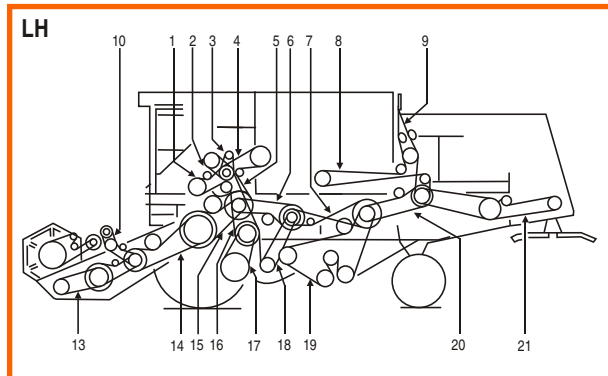
| ITEM | OEM REF. | PIX REF. | DESCRIPTION |
|------|----------|----------|------------------------|
| 1 | 176543.0 | HC176543 | Hydrostatic drive |
| 2 | 767057.0 | HC767057 | Hydraulic pump |
| 3 | 629903.1 | HC629903 | A/C Comp upto 09002764 |
| 3 | 629908.1 | HC629908 | A/C Comp from 09002765 |
| 4 | 673614.0 | HC673614 | Grain tank unload |
| 5 | 671012.1 | HC671012 | Drum drive |
| 6 | 603337.0 | HC603337 | Fanning mill |
| 7 | 603336.1 | HC603336 | Shaker drive |
| 8 | 629732.1 | HC629732 | Elevator |
| 9 | 802931.0 | HC802931 | Air intake |
| 12 | 670224.0 | HC670224 | Variable reel |
| 15 | 629214.0 | HC629214 | Knife drive |
| 16 | 603122.0 | HC603122 | Feed drive |



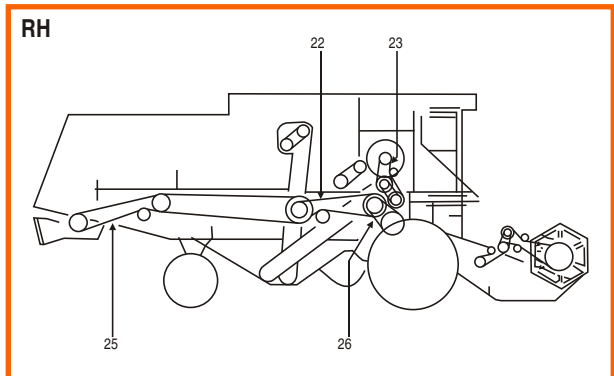
| ITEM | OEM REF. | PIX REF. | DESCRIPTION |
|-------|----------|----------|--------------------------|
| 17 | 673638.0 | HC673638 | Straw elevator |
| 18 | 609822.0 | HC609822 | Land wheel |
| 19 | 609823.0 | HC609823 | Variator drive |
| 20 | 671209.0 | HC671209 | Variable speed |
| 21 | 603017.0 | HC603017 | Returns auger |
| 22 | 506671.1 | HC506671 | Straw walker |
| 23 | 623427.1 | HC623427 | Straw walker |
| * 26 | 603341.0 | HC603341 | Rotary screen |
| * 28 | 061360.0 | HC061360 | Straw chopper |
| * 29 | 060306.2 | HC060306 | Counter shaft |
| * 30 | 603015.1 | HC603015 | Drive variator |
| * N/I | 673625.0 | HC673625 | Hyd. Pump traction drive |

* The text in *italics* indicates part numbers that belongs to RHS of the image.

CLAAS DOMINATOR 98 S/SL



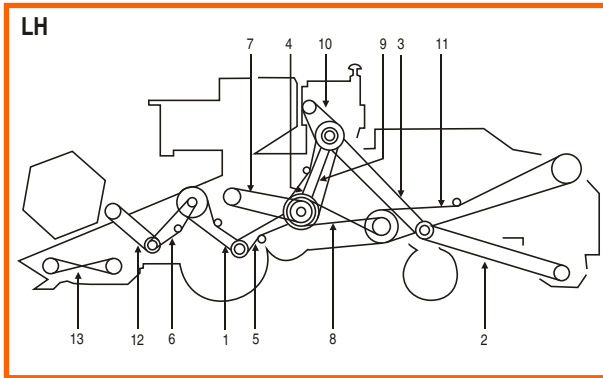
| ITEM | OEM REF. | PIX REF. | DESCRIPTION |
|------|----------|----------|--------------------------|
| 1 | 629001.0 | HC629001 | Hydro pump with merc eng |
| 1 | 629133.0 | HC629133 | Hyd pump merc eng |
| 1 | 673625.0 | HC673625 | Hyd pump merc/perk eng |
| 2 | 603378.0 | HC603378 | Hyd pump merc eng |
| 2 | 767057.1 | HC767057 | Hyd pump |
| 3 | 629908.1 | HC629908 | A/c compressor |
| 4 | 629769.0 | HC629769 | Grain tank unload |
| 5 | 629000.0 | HC629000 | Engine coupling merc |
| 5 | 671012.1 | HC671012 | Eng coupling perkins |
| 6 | 603337.0 | HC603337 | Drive to fanning mill |
| 7 | 603336.1 | HC603336 | Shaker drive |
| 8 | 629732.1 | HC629732 | Elevator |
| 9 | 802931.0 | HC802931 | Air intake |
| 10 | 670224.0 | HC670224 | Reel vari speed |



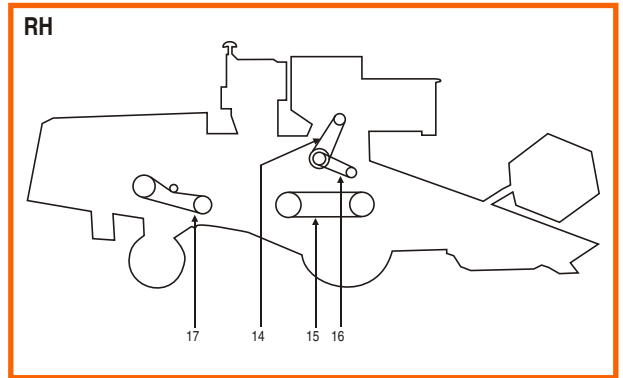
| ITEM | OEM REF. | PIX REF. | DESCRIPTION |
|------|----------|----------|-----------------------------|
| 13 | 671013.1 | HC671013 | Knife drive |
| 14 | 061872.0 | HC061872 | Feed drive set 1 |
| 14 | 629836.0 | HC629836 | Feed drive set 2 |
| 15 | 673628.0 | HC673628 | Straw elevator |
| 16 | 609822.0 | HC609822 | Land drive mechanical |
| 17 | 609823.0 | HC609823 | Land drive variator |
| 18 | 671209.0 | HC671209 | Variable speed fanning mill |
| 19 | 603017.3 | HC603017 | Returns auger |
| 20 | 506671.1 | HC506671 | Straw walker |
| 21 | 623427.1 | HC623427 | Straw spreader |
| * 22 | 060306.2 | HC060306 | Counter shaft |
| * 23 | 603341.0 | HC603341 | Rotary sieve |
| * 25 | 061360.0 | HC061360 | Straw chopper |
| * 26 | 628630.0 | HC628630 | Dresser |

* The text in *italics* indicates part numbers that belongs to RHS of the image.

CLAAS MATADOR



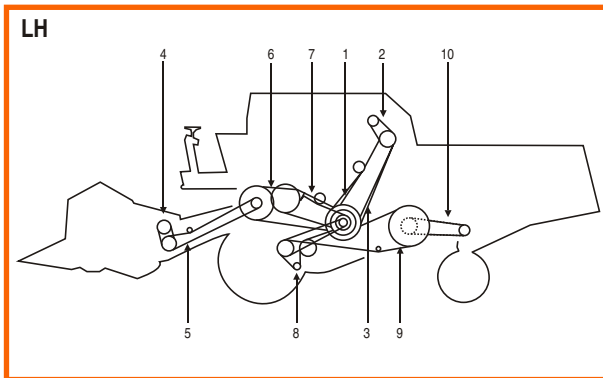
| ITEM | OEM REF. | PIX REF. | DESCRIPTION |
|------|----------|----------|----------------|
| 1 | 500863 | HC500863 | Cutting table |
| 2 | 500868 | HC500868 | Straw bailer |
| 3 | 551068 | HC551068 | Counter shaft |
| 4 | 630144 | HC630144 | Traction drive |
| 4 | 505051 | HC505051 | Traction drive |
| 5 | 653121 | HC653121 | Elevator fan |
| 5 | 610196 | HC610196 | Elevator fan |
| 6 | 610833 | HC610833 | Table drive |
| 7 | 617039 | HC617039 | Cylinder |
| 8 | 623252 | HC623252 | Shaker shoe |



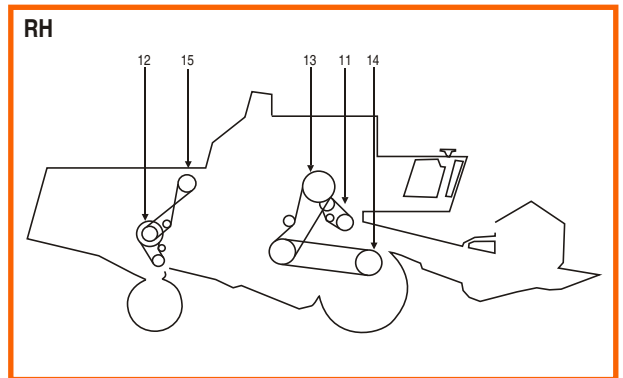
| ITEM | OEM REF. | PIX REF. | DESCRIPTION |
|------|----------|----------|--------------------|
| 9 | 630025 | HC630025 | Main drive |
| 9 | 630043 | HC630043 | Drum drive |
| 10 | 767057 | HC767057 | Hydraulic pump |
| 11 | 772658 | HC772658 | Shaker shoe |
| 12 | 778561 | HC778561 | Reel variator |
| 13 | 800309 | HC800309 | Pick up |
| * 14 | 636021 | HC636021 | Tank auger |
| * 15 | 630156 | HC630156 | Variator |
| * 16 | 750294 | HC750294 | Turning drum |
| * 17 | 801222 | HC801222 | Straw walker set 4 |

* The text in *italics* indicates part numbers that belongs to RHS of the image.

CLAAS MERCATOR S70-75



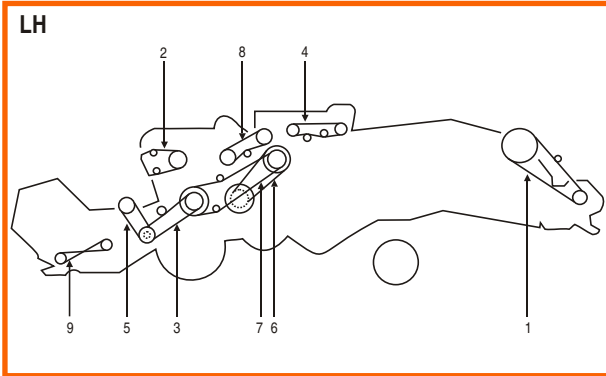
| ITEM | OEM REF. | PIX REF. | DESCRIPTION |
|------|----------|----------|---------------------|
| 1 | 653060 | HC653060 | Main drive |
| 2 | 656028 | HC656028 | Hydraulic pump |
| 3 | 630144 | HC630144 | Main drive |
| 4 | 778561 | HC778561 | Variable speed reel |
| 5 | 630833 | HC630833 | Knife drive (set 2) |
| 6 | 610830 | HC610830 | Knife drive (set 2) |
| 7 | 617309 | HC617309 | Cylinder vari drive |
| 8 | 653380 | HC653380 | Fanning mill |



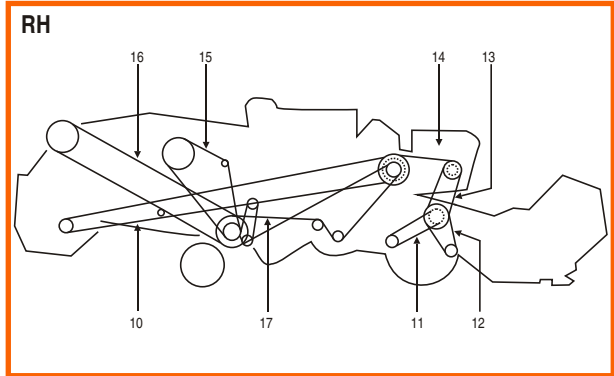
| ITEM | OEM REF. | PIX REF. | DESCRIPTION |
|------|----------|----------|-------------------|
| 9 | 653120 | HC653120 | Shaker shoe drive |
| 10 | 634019 | HC634019 | Grain tank |
| * 11 | 750294 | HC750294 | Turning drum |
| * 12 | 755070 | HC755070 | Straw walker (2) |
| * 12 | 750294 | HC750294 | Turning drum |
| * 13 | 654354 | HC654354 | Tank unloader |
| * 14 | 655408 | HC655408 | Traction drive |
| * 15 | 687046 | HC687046 | Shaker |

* The text in *italics* indicates part numbers that belongs to RHS of the image.

CLAAS MERCUR



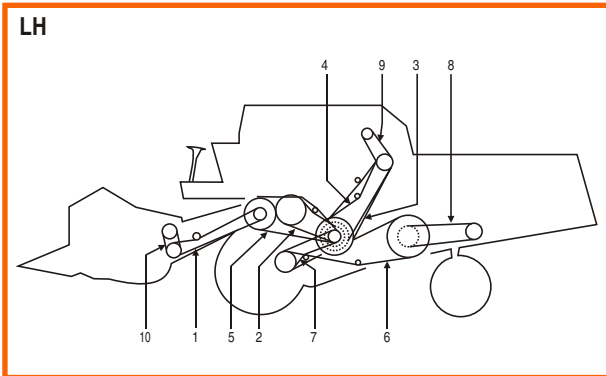
| ITEM | OEM REF. | PIX REF. | DESCRIPTION |
|------|----------|----------|----------------|
| 1 | 500863 | HC500863 | Cutting table |
| 2 | 758719 | HC758719 | Cooling fan |
| 2 | 758662 | HC758662 | Cooling fan |
| 3 | 778717 | HC778717 | Knife drive |
| 3 | 770214 | HC770214 | Knife drive |
| 4 | 775689 | HC775689 | Grain spreader |
| 5 | 778561 | HC778561 | Reel variator |
| 6 | 779039 | HC779039 | Cylinder |
| 7 | 779214 | HC779214 | Traction |
| 8 | 780419 | HC780419 | Grain tank |



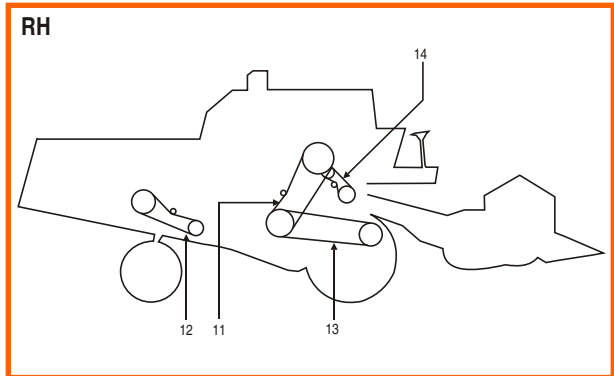
| ITEM | OEM REF. | PIX REF. | DESCRIPTION |
|------|----------|----------|---------------------|
| 9 | 800309 | HC800309 | Pick up |
| * 10 | 551190 | HC551190 | Straw chopper |
| * 11 | 751112 | HC751112 | Traction vari drive |
| * 12 | 755070 | HC755070 | Hydraulic pump |
| * 13 | 750316 | HC750316 | Driving wheel vari |
| * 14 | 758854 | HC758854 | Threshing clutch |
| * 15 | 773313 | HC773313 | Straw walker set 2 |
| * 16 | 779212 | HC779212 | Straw walker screen |
| * 17 | 779213 | HC779213 | Shaker shoe |

* The text in *italics* indicates part numbers that belongs to RHS of the image.

CLAAS PROTECTOR



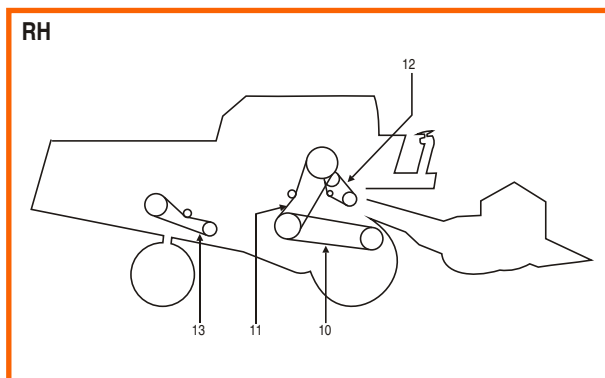
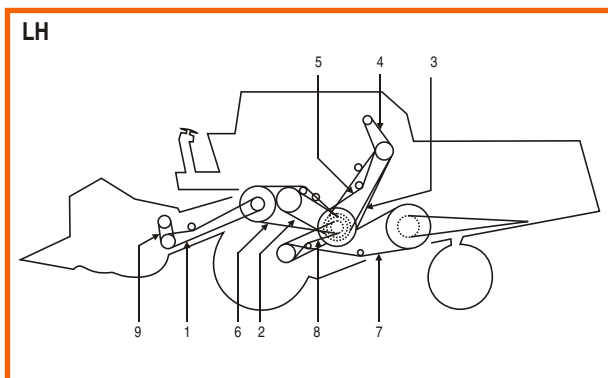
| ITEM | OEM REF. | PIX REF. | DESCRIPTION |
|------|----------|----------|------------------------|
| 1 | 610830.0 | HC610830 | Feed auger pick up |
| 1 | 610833.0 | HC610833 | Feed auger pick up |
| 2 | 617309.0 | HC617309 | Drum variator |
| 3 | 653062.0 | HC653062 | Main drive |
| 3 | 653059.0 | HC653059 | Main drive |
| 4 | 653060.0 | HC653060 | Main drive powerband |
| 5 | 656063.0 | HC656063 | Feed elevator variator |
| 6 | 653120.0 | HC653120 | Fan screen drive |



| ITEM | OEM REF. | PIX REF. | DESCRIPTION |
|------|----------|----------|--------------------|
| 7 | 653121.0 | HC653121 | Fan variator shaft |
| 8 | 653450.0 | HC653450 | Screen drive |
| 9 | 656028.0 | HC656028 | Hydraulic pump |
| 10 | 778561.0 | HC778561 | Variable speed |
| * 11 | 653779.0 | HC653779 | Tank discharge |
| * 12 | 653933.0 | HC653933 | Straw walker |
| * 13 | 655408.0 | HC655408 | Driving wheel |
| * 14 | 750294.0 | HC750294 | Rear beater |

* The text in *italics* indicates part numbers that belongs to RHS of the image.

CLAAS SENATOR 80-85



| ITEM | OEM REF. | PIX REF. | DESCRIPTION |
|------|----------|----------|---------------------|
| 1 | 610830.0 | HC610830 | Feed auger pick up |
| 1 | 610833.0 | HC610833 | Feed auger pick up |
| 2 | 617309.0 | HC617309 | Drum variator |
| 3 | 630144.0 | HC630144 | Engine shaft |
| 3 | 653059.0 | HC653059 | Main drive |
| 3 | 653062.0 | HC653062 | Main drive |
| 4 | 633030.0 | HC633030 | Hydraulic pump |
| 5 | 653060.0 | HC653060 | Main drive multi V |
| 6 | 653063.0 | HC653063 | Feed shaft variator |
| 7 | 653120.0 | HC653120 | Screen drive |

| ITEM | OEM REF. | PIX REF. | DESCRIPTION |
|-------|----------|----------|-------------------------|
| 8 | 653380.1 | HC653380 | Fan variator > 77001807 |
| 8 | 653121.0 | HC653121 | Fan variator < 77000100 |
| 9 | 778561.0 | HC778561 | Reel variator |
| * 10 | 631904.0 | HC631904 | Variator < 77000100 |
| * 10 | 655408.0 | HC655408 | Variator > 77000101 |
| * 11 | 654013.0 | HC654013 | Intermediate shaft |
| * 12 | 750294.0 | HC750294 | Rear beater |
| * 13 | 653933.0 | HC653933 | Straw walker |
| * 13 | 801222.0 | HC801222 | Straw walker |
| * N/I | 653450.0 | HC653450 | Grain tank |

* The text in *italics* indicates part numbers that belongs to RHS of the image.

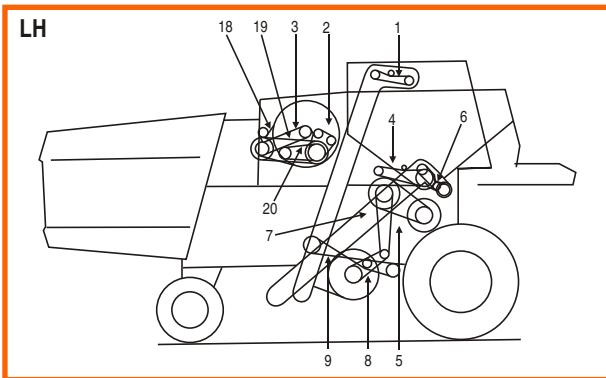
NEW REFERENCES

| ITEM | OEM REF. | PIX REF. | Description |
|------|------------|------------|---|
| 1 | XX077276.0 | GMC077276 | Rotary Screen Drive Jaguar 820-840 |
| 2 | XX661245.0 | HC661245 | Engine Shaft Drive Dominator 208 - 218 Mega |
| 3 | XX661345.0 | HC661345 | Cooler Fan Drive Dominator 203 - 218 Mega |
| 4 | XX821734.2 | HC821734 | Rotary Screen Drive Dominator 108 - 118 |
| 5 | XX052393.1 | GMC052393 | Air Conditioning Drive Jaguar 820 - 840 |
| 6 | XX644781.0 | HC644781 | Fan Drive Lexion 415 - 460 |
| 7 | XX750193.2 | GMC750193 | Hydraulic Pump Drive Jaguar 675 - 680 |
| 8 | XX667242.0 | HC667242 | Fan & Rotary Screen Drive Lexion Range |
| 9 | XX077400.0 | GMC077400K | Axial Flow Fan Drive Jaguar 820 - 840 |
| 10 | XX667798.2 | HC667798 | Straw Spreader Drive - 1st Stage Lexion 480 |
| 11 | XX667477.0 | HC667477 | Straw Walker Drive Lexion Range |
| 12 | XX644447.0 | HC644447 | Air Intake Drive Dominator 203 - 218 Mega |
| 13 | XX742206.0 | GMC742206 | Axial Flow Fan Drive Jaguar 860 - 880 |
| 14 | LL667684.0 | HC667684 | Straw Chopper Drive -Fourth Stage Lexion 415 -430 |
| 15 | XX742025.0 | HC742025 | Knife Drive Lexion 480 |
| 16 | XX644209.0 | HC644209 | Sieve Pan Drive - Primary Lexion range |
| 17 | LL061353.1 | HC061353 | Straw Chopper Drive Dominator 203 - 218 Mega |
| 18 | XX644419.0 | HC644419 | Cutter Bar Clutch Drive Commander 116 - 228 |
| 19 | XX603430.0 | HC603430 | Cutter Bar Clutch Drive Dominator 108 - 228 Mega |
| 20 | XX667454.0 | HC667454 | Intake Drive Lexion range |
| 21 | XX667249.0 | HC667249 | Impellor Drum Drive Lexion range |
| 22 | LL667251.0 | HC667251 | Speed Reducing Gearbox Drive Lexion Range |
| 23 | LL644538.0 | HC644538 | Drum V/S Drive Dominator 203 - 204 Mega |
| 24 | XX667681.0 | HC667681 | Grain Tank Unloader Drive Lexion 405 - 430 |

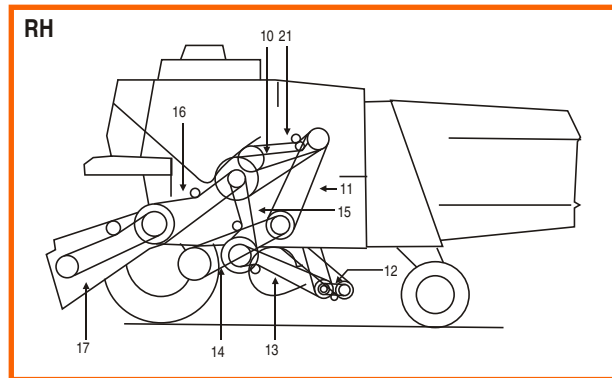
NEW REFERENCES

| ITEM | OEM REF. | PIX REF. | Description |
|------|-------------|------------|---|
| 25 | XX667252.0 | HC667252 | Sieve Pan Drive - Second Stage Lexion Range |
| 26 | XX644866.0 | HC644866 | Sieve Pan Drive Third Stage Lexion 480 |
| 27 | XX749712.0 | HC749712 | Straw Chopper Drive - 3rd Stage Lexion 480 |
| 28 | LL661093.0 | HC661093 | Straw Copper Drive - Final Lexion 440 - 460 |
| 29 | XX667250.0 | HC667250 | Unloader Drive Lexion 440 - 460 & 480 |
| 30 | XX667427.0 | HC667427 | Hybrid Drive 2nd Stage Lexion 480 |
| 31 | XX176442.1 | HC176442 | Drum Drive Lexion 415 -430 and some 440 - 460 |
| 32 | XX667554.0 | HC667554 | Hybrid Drive - 1st Stage Lexion 480 |
| 33 | LL644685.1 | HC644685 | Straw Copper Drive - Primary Lexion 480 |
| 34 | XX073204.0 | GMC073204 | Corn Cracker Drive Jaguar 682 - 685 |
| 35 | XX067789.0 | GMC067789K | Corn Cracker Drive Jaguar 830 - 900 |
| 36 | LL077797.0 | GMC077797K | Engine Output Drive 228kW Jaguar 820 - 840 (alt) |
| 37 | LL070952.2 | GMC1085K | Cutting Cylinder Drive Jaguar 685L - 690 |
| 38 | XX074771.2 | GMC1083K | Cutting Cylinder Drive Jaguar 685SL (alt) 695SL |
| 39 | XX074803.2 | GMC1082K | Cutting Cylinder Drive Jaguar 685SL (alt) 690SL |
| 40 | XX667453.0 | HC667453 | Drum Drive Lexion 440 - 460 |
| 41 | XX077796.0 | GMC077796K | Engine Output Drive Jaguar 860 - 880 820 - 840 (alt) 265kW |
| 42 | XX067746.0 | GMC067746K | Aux Gearbox / Engine Output Jaguar 870 - 850 |
| 43 | XX076401.0 | GMC076401K | Engine Output Drive Jaguar 860 |
| 44 | XX067747.1 | GMC067747K | Aux Gearbox / Engine Output Jaguar 890 - 900 |
| 45 | XX 667456.0 | HC667456 | Rotary Screen Drive Lexio 440 - 460 & 480 |
| 46 | XX 667248.0 | HC667248 | Drum Drive Lexion 440 - 460 and some 415 - 430 |
| 47 | LL-176542.1 | HC176542 | Hydrostatic Pump Drive Dominator 106 - 108 |
| 48 | LL-176543.1 | HC176543 | Hydrostatic Pump Drive Dominator 76 - 96 & Traction Drive Jaguar 675 - 680 |

NEW HOLLAND 8040-8055



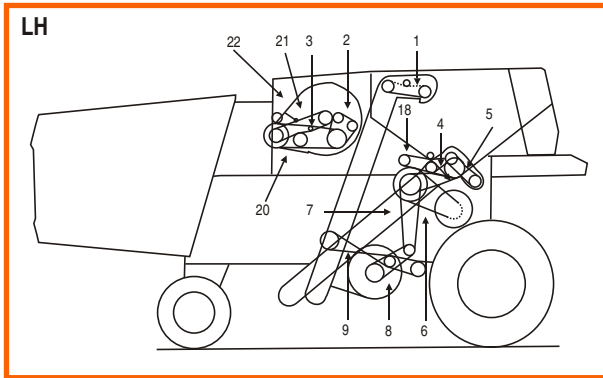
| ITEM | OEM REF. | PIX REF. | DESCRIPTION |
|------|----------|----------|-----------------------------|
| 1 | 80116140 | | Chain |
| 2 | 80443634 | HN443634 | Fan, alternator, water pump |
| 3 | 80427455 | HN427455 | Radiator fan drive |
| 4 | 80223589 | | Chain |
| 5 | 80336784 | HN336784 | Drum vari drive |
| 6 | 80116140 | | Chain |
| 7 | 80230057 | HN230057 | Upper cleaning fan drive |
| 8 | 80395955 | HN395955 | Lower cleaning fan drive |
| 9 | 80431784 | HN431784 | Straw walker drive |
| 18 | 80422441 | HN422441 | Rotary dust screen drive |
| 19 | 80427456 | HN427456 | Fan & rotary dust screen |
| 20 | 80393519 | HN393519 | Hydraulic pump drive |



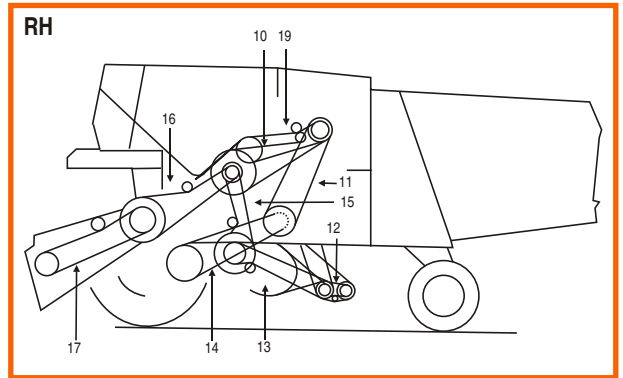
| ITEM | OEM REF. | PIX REF. | DESCRIPTION |
|------|----------|----------|-----------------------------|
| * 10 | 80422281 | HN422281 | Main drive |
| * 11 | 80356024 | HN356024 | Upper ground speed |
| * 12 | 80116140 | | Chain |
| * 13 | 80422731 | HN422731 | Grain elevator bottom auger |
| * 14 | 80439129 | HN439129 | Lower ground speed |
| * 15 | 80387469 | HN387469 | Eccentric shaft drive |
| * 16 | 80066232 | HN066232 | 1HB straw elevator drive |
| * 16 | 80424563 | HN424563 | 2HB straw elevator drive |
| * 17 | 80330715 | HN330715 | Header drive 8040 |
| * 17 | 80394426 | HN394426 | Header drive 8055 |
| * 21 | 80230164 | HN230164 | Grain tank auger 8040 |
| * 21 | 80447041 | HN447041 | Grain tank auger 8055 |

* The text in *italics* indicates part numbers that belongs to RHS of the image.

NEW HOLLAND 8030



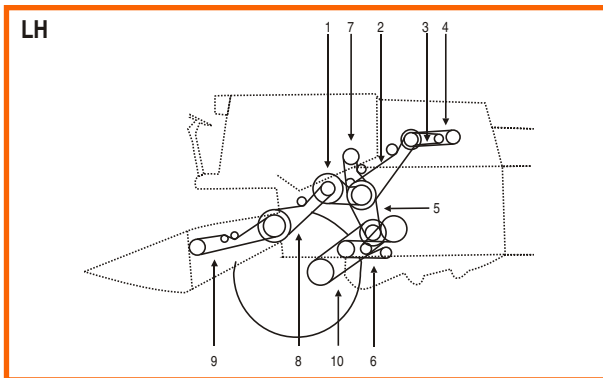
| ITEM | OEM REF. | PIX REF. | DESCRIPTION |
|------|----------|----------|--------------------------|
| 1 | 80395313 | | Chain grain tank |
| 2 | 80443634 | HN443634 | Alternator & water pump |
| 2 | 80444045 | HN444045 | Alternator & water pump |
| 2 | 80443636 | HN443636 | Alternator & water pump |
| 3 | 80393519 | HN393519 | Hydraulic pump |
| 4 | 80422725 | HN422725 | Grain tank unloading |
| 5 | 80116140 | | Chain tailings top auger |
| 6 | 80336784 | HN336784 | Drum vari drive |
| 7 | 80230057 | HN230057 | Fan vari drive |
| 8 | 80395955 | HN395955 | Fan vari drive |
| 9 | 80431784 | HN431784 | Straw walker drive |
| 18 | 80450600 | HN450600 | Chain grain tank |
| 20 | 80427456 | HN427456 | Rotary dust screen |



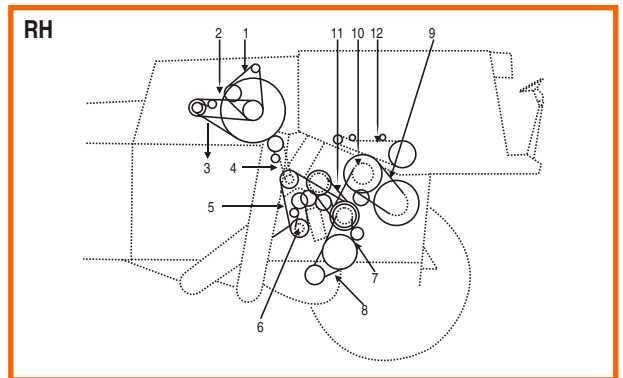
| ITEM | OEM REF. | PIX REF. | DESCRIPTION |
|------|----------|----------|----------------------------|
| 21 | 80427455 | HN427455 | Radiator fan drive |
| 22 | 80422441 | HN422441 | Rotary dust screen |
| * 10 | 80422281 | HN422281 | Powerband main drive *Ford |
| * 10 | 80447031 | HN447031 | Powerband main drive *Merc |
| * 11 | 80356024 | HN356024 | Ground speed vari-drive |
| * 12 | 80116140 | | Chain tailings elevator |
| * 13 | 80422731 | HN422731 | Elevator drive |
| * 14 | 80356024 | HN356024 | Ground speed vari-drive |
| * 15 | 80387469 | HN387469 | Eccentric shaft drive |
| * 16 | 80066232 | HN066232 | 2HC straw elevator drive |
| * 17 | 80330715 | HN330715 | Header drive |
| * 19 | 80427456 | HN427456 | Rotary dust screen drive |

* The text in *italics* indicates part numbers that belongs to RHS of the image.

NEW HOLLAND 8050-8060



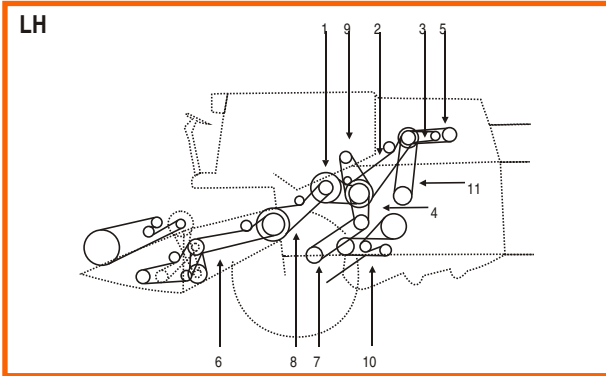
| ITEM | OEM REF. | PIX REF. | DESCRIPTION |
|------|----------|----------|--------------------------------|
| 1 | 80451481 | HN451481 | Beater drive |
| 2 | 80397297 | HN397297 | Drum variator |
| 3 | 80230151 | HN230151 | Hydraulic pump |
| 4 | 80389245 | HN389245 | Interim dust screen drive |
| 5 | 80230076 | HN230076 | Ground speed-stdnd |
| 5 | 80420606 | HN420606 | Ground speed-low speed |
| 6 | 80605529 | HN605529 | Straw walker drive |
| 7 | 80410896 | HN410896 | Intermediate shaft grain auger |
| 8 | 80393326 | HN393326 | Straw elevator drive |
| 9 | 80643353 | HN643353 | Knife drive 8050 |
| 9 | 80394426 | HN394426 | Knife drive 8060 |
| 10 | 80356024 | HN356024 | Ground speed vari-drive |
| * 1 | 80421173 | HN421173 | Alt. & water pump Eng.-Merc |
| * 1 | 81540767 | HN540767 | Alt. & Water pump Eng. Ford |



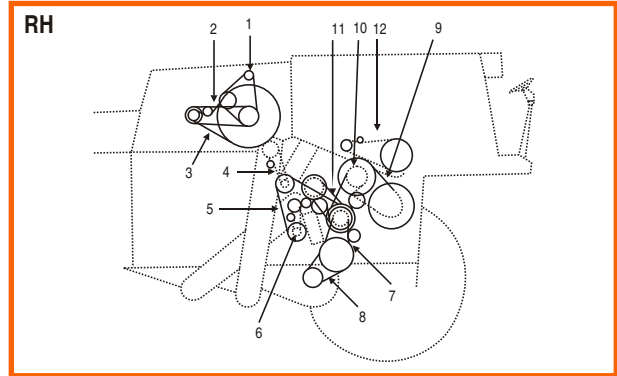
| ITEM | OEM REF. | PIX REF. | DESCRIPTION |
|------|----------|----------|-----------------------------|
| * 1 | 80432802 | HN432802 | Alt. & Water pump 8060 only |
| * 2 | 80399058 | HN399058 | Dust screen drive |
| * 3 | 80457643 | HN457643 | Rotary dust screen drive |
| * 4 | 80350418 | | Chain |
| * 5 | 80387469 | HN387469 | Top tailings auger drive |
| * 6 | 80395313 | HN395313 | Chain |
| * 7 | 80378989 | HN378989 | Fan drive |
| * 8 | 80388280 | HN388280 | Fan drive |
| * 9 | 80336784 | HN336784 | Drum vari-drive |
| * 10 | 80396750 | HN396750 | Set beater drive 8050 |
| * 10 | 80437033 | HN437033 | Set beater drive 8060 |
| * 11 | 80395955 | HN395955 | Intermediate shaft beater |
| * 12 | 80410962 | HN410962 | Chain |

* The text in *italics* indicates part numbers that belongs to RHS of the image.

NEW HOLLAND 8070



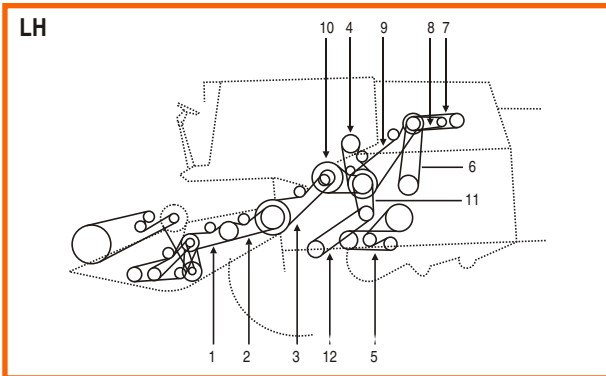
| ITEM | OEM REF. | PIX REF. | DESCRIPTION |
|------|----------|----------|--------------------------------|
| 1 | 80451481 | HN451481 | Power band-rethresher |
| 2 | 80391650 | HN391650 | Drum variator |
| 3 | 80230151 | HN230151 | Hydraulic pump |
| 4 | 80321559 | HN321559 | Ground speed-std |
| 4 | 80417643 | HN417643 | Ground speed-low speed |
| 5 | 80389245 | HN389245 | Intermediate drive shaft |
| 6 | 80394426 | HN394426 | Header drive |
| 7 | 80356025 | HN356025 | Ground speed vari-drive |
| 8 | 80393326 | HN393326 | Straw elevator drive |
| 9 | 80410896 | HN410896 | Intermediate shaft grain auger |
| 10 | 80605529 | HN605529 | Straw walker drive |
| 11 | 80411543 | HN411543 | Power band hydrostatic drive |
| * 1 | 80421173 | HN421173 | Alt. & water pump Merc engine |



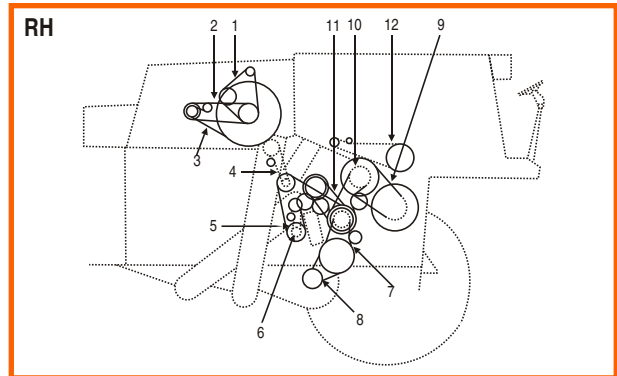
| ITEM | OEM REF. | PIX REF. | DESCRIPTION |
|------|----------|----------|-------------------------------|
| * 1 | 81540767 | HN540767 | Alt. & Water pump Ford engine |
| * 2 | 80384397 | HN384397 | Fan drive |
| * 3 | 80457643 | HN457643 | Rotary dust screen drive |
| * 4 | 80350418 | | Chain |
| * 5 | 80387469 | HN387469 | Top tailings auger drive |
| * 6 | 80395313 | | Chain |
| * 7 | 80378989 | HN378989 | Fan drive |
| * 8 | 80388280 | HN388280 | Fan drive |
| * 9 | 80336784 | HN336784 | Drum vari-drive |
| * 10 | 80396750 | HN396750 | Counter shaft drive |
| * 10 | 80437033 | HN437033 | Counter shaft drive (modi) |
| * 11 | 80395955 | HN395955 | Variator drive |
| * 12 | 80410962 | | Chain |

* The text in *italics* indicates part numbers that belongs to RHS of the image.

NEW HOLLAND 8080



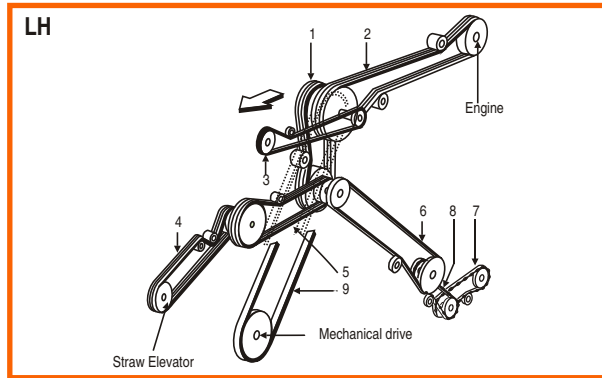
| ITEM | OEM REF. | PIX REF. | DESCRIPTION |
|------|----------|----------|------------------------------|
| 1 | 80387931 | HN387931 | Header drive |
| 2 | 80391143 | HN391143 | Header drive |
| 3 | 80393326 | HN393326 | Straw elevator drive |
| 4 | 80410896 | HN410896 | Intermediate shaft |
| 5 | 80605529 | HN605529 | Straw walker drive |
| 6 | 80411543 | HN411543 | Power band hydrostatic drive |
| 7 | 80389245 | HN389245 | Intermediate drive shaft |
| 8 | 80230151 | HN230151 | Hydraulic pump |
| 9 | 80391650 | HN391650 | Power band drum variator |
| 10 | 80451481 | HN451481 | Power band re-thresher drive |
| 11 | 80321559 | HN321559 | Ground speed **std speed |
| 11 | 80417643 | HN417643 | Ground speed **low speed |
| 12 | 80356025 | HN356025 | Ground speed |
| * 1 | 80393519 | HN393519 | Alternator drive Merc eng. |



| ITEM | OEM REF. | PIX REF. | DESCRIPTION |
|------|----------|----------|---------------------------|
| * 1 | 80432642 | HN432642 | Alternator drive Merc eng |
| * 2 | 80384397 | HN384397 | Fan drive |
| * 3 | 80457643 | HN457643 | Rotary dust screen |
| * 4 | 80350418 | | Chain grain elevator |
| * 5 | 80387469 | HN387469 | Tailings elevator |
| * 6 | 80395313 | | Chain-tailings elevator |
| * 7 | 80378989 | HN378989 | Fan vari-drive |
| * 8 | 80388280 | HN388280 | Fan vari-drive |
| * 9 | 80387460 | HN387460 | Drum vari-drive |
| * 10 | 80396750 | HN396750 | Counter shaft drive |
| * 10 | 80437033 | HN437033 | Counter shaft drive |
| * 11 | 80395955 | HN395955 | Variator drive |
| * 12 | 80410962 | HN410962 | Grain tank auger drive |

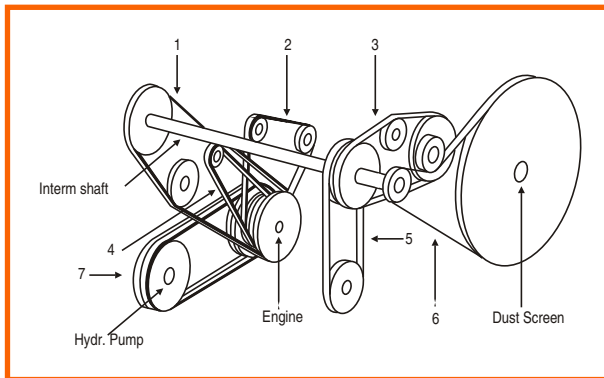
* The text in *italics* indicates part numbers that belongs to RHS of the image.

NEW HOLLAND TX30

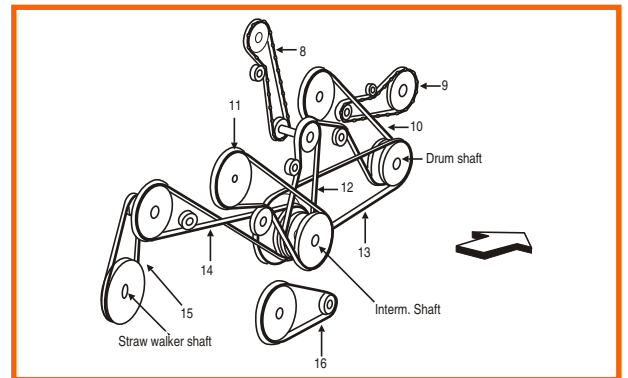


| ITEM | OEM REF. | PIX REF. | DESCRIPTION |
|------|----------|-----------|-------------------------------|
| 1 | 80455865 | HN455865 | Powerband-rethresher |
| 2 | 80922872 | HN922872 | Engine to beater shaft (hydr) |
| 2 | 80922911 | HN922911 | Engine to beater shaft (mech) |
| 3 | 89512971 | HN9512971 | Unloading auger |
| 4 | 80433746 | HN433746 | Straw elevator drive |
| 4 | 89514989 | HN9514989 | 2HB straw elevator |
| 5 | 80350236 | HN350236 | 3HB beater to straw elevator |
| 6 | 80448794 | HN448794 | Cleaning shoe drive |
| 7 | 80451356 | | Chain |
| 8 | 84000317 | | Chain |
| 9 | 80440780 | HN440780 | Ground speed variator |

NEW HOLLAND TX30RH

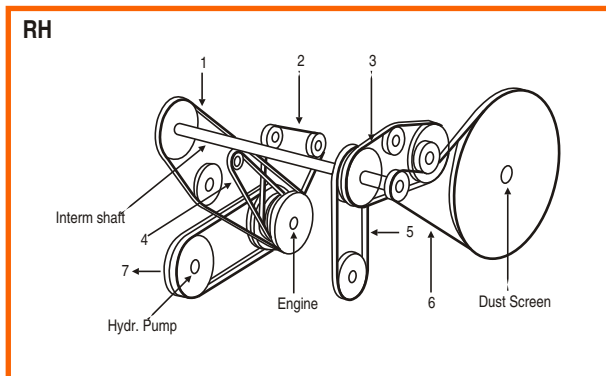
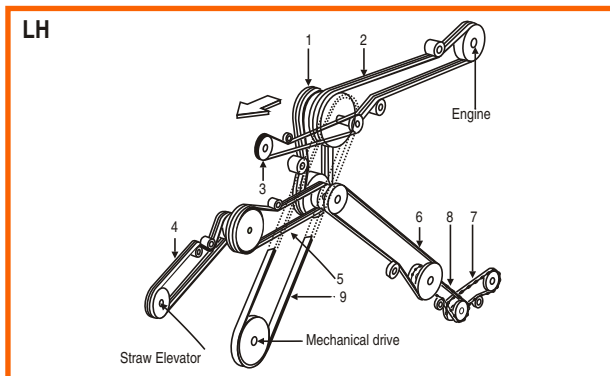


| ITEM | OEM REF. | PIX REF. | DESCRIPTION |
|------|----------|-----------|---------------------------|
| 1 | 80913151 | HN913151 | Belt cooling fan |
| 2 | 80443634 | HN443634 | Water pump drive |
| 3 | 80913153 | HN913153 | Rotary dust screen drive |
| 4 | 89501182 | HN9501182 | Alternator drive |
| 4 | 80747177 | HN747177 | Alternator drive >8110999 |
| 5 | 89506748 | HN9506748 | Compressor drive |
| 6 | 80923019 | HN923019 | Dust screen |
| 7 | 89508558 | HN9508558 | Hyd. Pump |



| ITEM | OEM REF. | PIX REF. | DESCRIPTION |
|------|----------|------------|----------------------------|
| * 8 | 80321797 | | Chain |
| * 9 | 80267157 | | Chain |
| * 10 | 89513984 | HN89513984 | Beater drive |
| * 11 | 89817439 | HN9817439 | Rotary separator |
| * 12 | 84015852 | HN84015852 | Grain storage drive |
| * 13 | 89832601 | HN9832601 | Drum to intermediate shaft |
| * 14 | 80754389 | HN754389 | Straw walker shaft drive |
| * 15 | 80754388 | HN754388 | Straw walker drive |
| * 16 | 89502654 | HN9502654 | Cleaning fan vari drive |

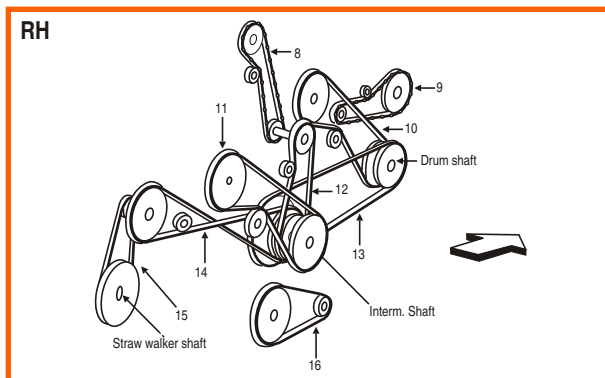
* The text in italics indicates part numbers that belongs to RHS of the image.



| ITEM | OEM REF. | PIX REF. | DESCRIPTION |
|------|----------|------------|------------------------------|
| 1 | 80455865 | HN455865 | Power band beater drive |
| 2 | 80922911 | HN922911 | Power band engine |
| 3 | 89512971 | HN89512971 | Unloading auger drive |
| 4 | 80433746 | HN433746 | Straw elevator drive (>1799) |
| 4 | 89514989 | HN89514989 | 2HB straw elevator drive |
| 5 | 80434222 | HN434222 | 2HB beater to straw elevator |
| 5 | 80350236 | HN350236 | 3HB beater to straw elevator |
| 6 | 80448794 | HN448794 | Cleaning shoe |
| 6 | 80446780 | HN446780 | Cleaning shoe > 7703001 |
| 7 | 80451356 | | Chain |
| 7 | 84000317 | | Chain |
| 8 | 84000317 | | Chain |
| 8 | 80451356 | | Chain |

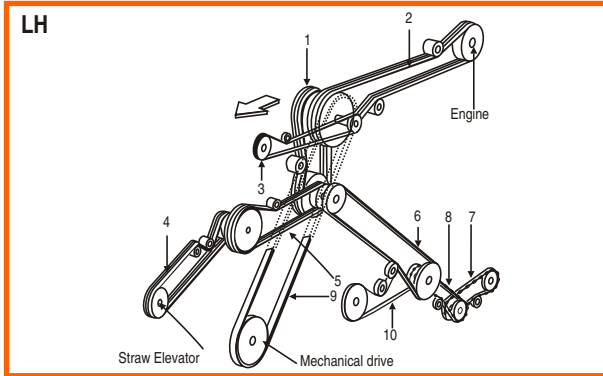
| ITEM | OEM REF. | PIX REF. | DESCRIPTION |
|------|----------|------------|---------------------------|
| 9 | 80440780 | HN440780 | Ground speed variator |
| 10 | 80230164 | HN230164 | Ecentric shaft drive |
| * 1 | 80913151 | HN913151 | Cooling fan drive |
| * 2 | 80443634 | HN443634 | Water pump drive |
| * 3 | 80913153 | HN913153 | Rotary dust screen drive |
| * 3 | 89514311 | HN89514311 | Rotary dust screen drive |
| * 3 | 89817454 | HN89817454 | Rotary dust screen drive |
| * 4 | 89501182 | HN89501182 | Alternator drive |
| * 4 | 80747177 | HN747177 | Alternator drive >7717001 |
| * 5 | 89506748 | HN89506748 | Compressor drive |
| * 6 | 80923019 | HN923019 | Dust screen |
| * 6 | 89817814 | HN89817814 | Dust screen >7720001 |
| * 7 | 89508558 | HN89508558 | Hydraulic pump |

* The text in *italics* indicates part numbers that belongs to RHS of the image.

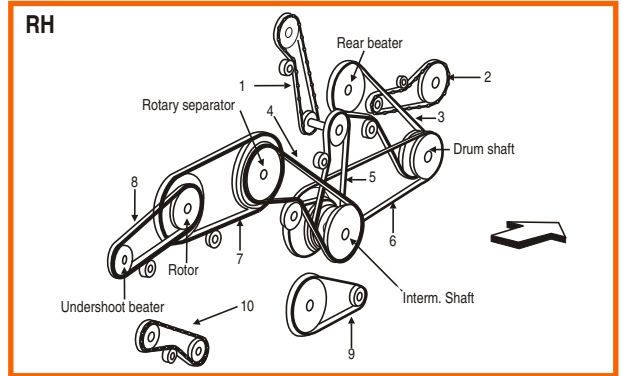


| ITEM | OEM REF. | PIX REF. | DESCRIPTION |
|------|----------|------------|-------------------------------|
| 8 | 80321797 | | Chain |
| 9 | 80267157 | | Chain |
| 10 | 89513984 | HN89513984 | Beater drive |
| 11 | 89817439 | HN817439 | Rotary separator drive |
| 12 | 84015852 | HN84015852 | Grain tank drive |
| 13 | 89832601 | HN9832601 | Drum to intermediate shaft |
| 14 | 80754389 | HN754389 | Straw walker drive |
| 15 | 80754388 | HN754388 | Straw walker drive |
| 16 | 80439832 | HN439832 | Cleaning fan (self levelling) |
| 16 | 89502654 | HN89502654 | Cleaning fan |
| 16 | 80919739 | HN80919739 | Cleaning fan (fixed shoe) |

NEW HOLLAND TF42



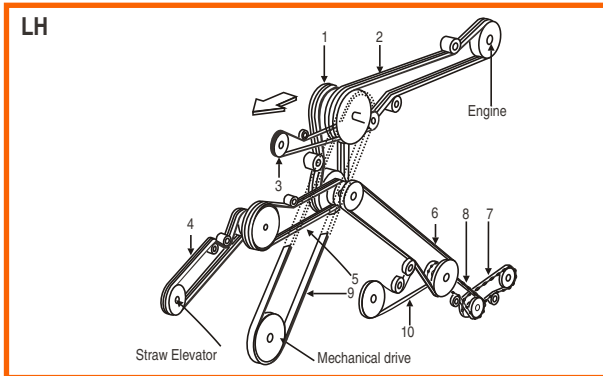
| ITEM | OEM REF. | PIX REF. | DESCRIPTION |
|------|----------|-----------|------------------------------|
| 1 | 80455865 | HN455865 | Beater to interm drive |
| 2 | 80750290 | HN750290 | 4HB engine to beater shaft |
| 2 | 80922911 | HN922911 | 4HB engine to beater shaft |
| 3 | 89512971 | HN9512971 | Unloading auger engaging |
| 4 | 80433746 | HN433746 | 2HB-straw elevator |
| 4 | 89514990 | HN9514990 | 2HB-straw elevator |
| 5 | 80434222 | HN434222 | 2HB-beater to straw elevator |
| 5 | 80350236 | HN350236 | 3HB-beater to straw elevator |
| 5 | 80743877 | HN743877 | 4HB-beater to straw elevator |
| 6 | 80448794 | HN448794 | Cleaning shoe drive |
| 7 | 80116140 | | Chain |
| 8 | 80216820 | | Chain |



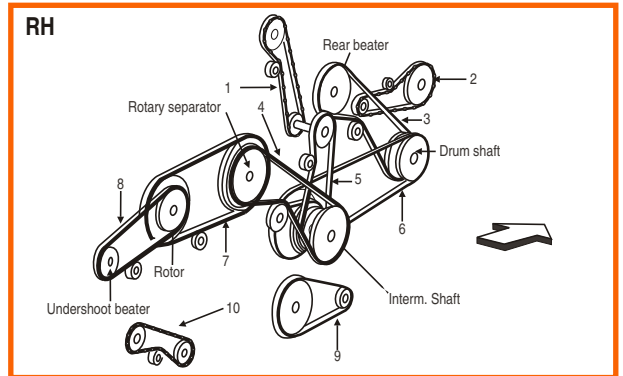
| ITEM | OEM REF. | PIX REF. | DESCRIPTION |
|------|----------|-----------|---------------------------|
| 9 | 80440780 | HN440780 | Ground speed variator |
| * 1 | 80434154 | | Chain |
| * 2 | 80267157 | | Chain |
| * 3 | 89513984 | HN9513984 | Beater drive |
| * 4 | 80919681 | HN919681 | Rotary separator drive |
| * 5 | 84015852 | HN4015852 | Grain storage drive |
| * 6 | 89832601 | HN9832601 | Drum to interm shaft |
| * 7 | 80434046 | HN434046 | Rotary separator to rotor |
| * 8 | 80427456 | HN427456 | Rotor to undershot beater |
| * 9 | 89502654 | HN9502654 | Fan belt |
| * 10 | 80451356 | HN451356 | Chain |

* The text in *italics* indicates part numbers that belongs to RHS of the image.

NEW HOLLAND TF44



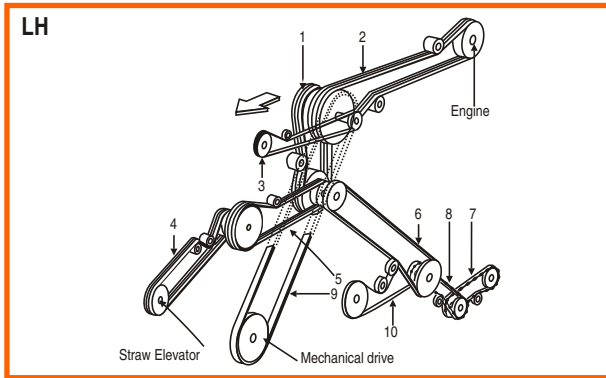
| ITEM | OEM REF. | PIX REF. | DESCRIPTION |
|------|----------|-----------|------------------------------|
| 1 | 80455865 | HN455865 | Beater to interm drive |
| 2 | 80750290 | HN750290 | Engine to beater shaft |
| 2 | 80922911 | HN922911 | 4HB engine to beater shaft |
| 3 | 89512971 | HN9512971 | Unloading auger engaging |
| 4 | 80433746 | HN433746 | 2HB-straw elevator |
| 5 | 80434222 | HN434222 | 2HB beater to straw elevator |
| 5 | 80350236 | HN350236 | 3HB beater to straw elevator |
| 6 | 80448794 | HN448794 | Cleaning shoe drive |
| 7 | 80116140 | | Chain |
| 8 | 80451356 | | Chain |



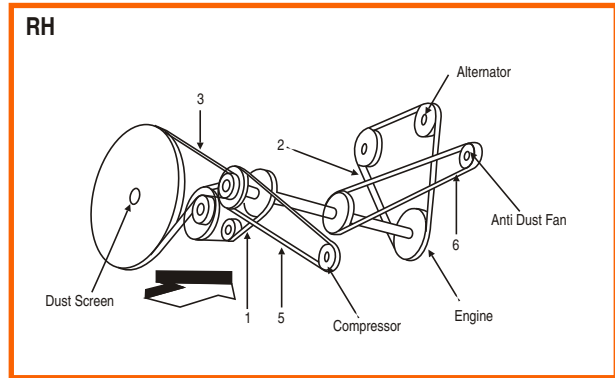
| ITEM | OEM REF. | PIX REF. | DESCRIPTION |
|------|----------|------------|----------------------------|
| * 1 | 80434154 | | Chain |
| * 2 | 80267157 | | Chain |
| * 3 | 89513984 | HN9513984 | Beater drive |
| * 4 | 80919681 | HN919681 | Rotary separator drive |
| * 5 | 84015852 | HN84015852 | Grain storage drive |
| * 6 | 89832601 | HN89832601 | Drum to intermediate shaft |
| * 7 | 80434046 | HN434046 | Rotary separator to rotor |
| * 8 | 80427456 | HN427456 | Rotor to undershot beater |
| * 9 | 80439832 | HN439832 | Fan drive |
| * 10 | 80116140 | HN80116140 | Chain |

* The text in *italics* indicates part numbers that belongs to RHS of the image.

NEW HOLLAND TF46



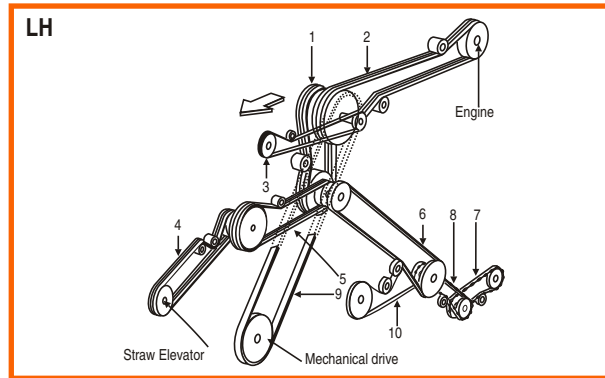
| ITEM | OEM REF. | PIX REF. | DESCRIPTION |
|------|----------|-----------|------------------------------|
| 1 | 80750166 | HN750166 | Beater to interm drive |
| 2 | 80750290 | HN750290 | Engine to beater shaft |
| 2 | 80922911 | HN922911 | 4HB engine to beater shaft |
| 3 | 89512971 | HN9512971 | Unloading auger engaging |
| 4 | 80433746 | HN433746 | 2HB-straw elevator |
| 5 | 80434222 | HN434222 | 2HB beater to straw elevator |
| 5 | 80350236 | HN350236 | 3HB beater to straw elevator |
| 6 | 80448794 | HN448794 | Cleaning shoe drive |



| ITEM | OEM REF. | PIX REF. | DESCRIPTION |
|------|----------|----------|-------------------------|
| 7 | 80451356 | | Chain |
| 8 | 80451356 | | Chain |
| * 1 | 80439496 | HN439496 | Cooling fan drive |
| * 2 | 80748003 | HN748003 | Water pump & alternator |
| * 3 | 80439495 | HN439495 | Rotary dust screen |
| * 5 | 80381237 | HN381237 | Compressor drive |
| * 6 | 80436304 | HN436304 | Dust screen |

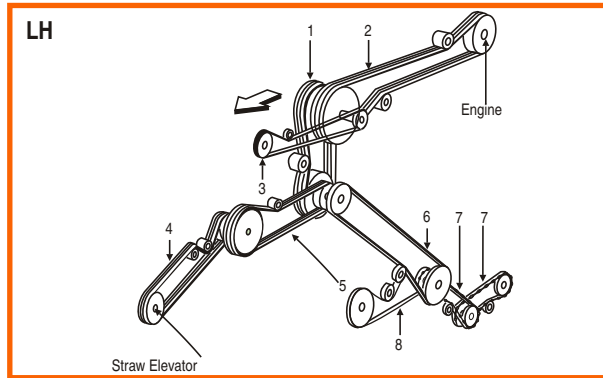
* The text in *italics* indicates part numbers that belongs to RHS of the image.

NEW HOLLAND TX34



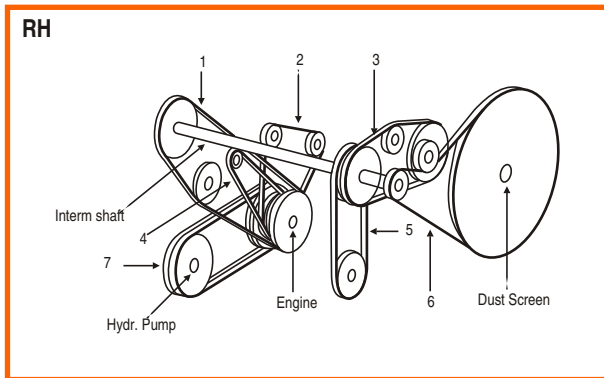
| ITEM | OEM REF. | PIX REF. | DESCRIPTION |
|------|----------|-----------|--|
| 1 | 80455865 | HN455865 | Beater to intermediate shaft |
| 2 | 80922911 | HN922911 | Engine to beater shaft |
| 2 | 89831571 | HN9831571 | 4HB Engine to beater shaft |
| 3 | 89512971 | HN9512971 | Unloading auger engaging |
| 4 | 80433746 | HN433746 | 2HB straw elevator drive |
| 4 | 89504547 | HN9504547 | 2HB straw ele drv - lateral floatation |
| 4 | 89513386 | HN9513386 | 3HB straw elevator drive |
| 5 | 80434222 | HN434222 | 2HB beater to straw elevator |
| 5 | 80350236 | HN350236 | 3HB beater to straw elevator |
| 6 | 80448794 | HN448794 | Cleaning shoe (self level) |
| 6 | 80446780 | HN446780 | Cleaning shoe (fixed shoe) |
| 7 | 80451356 | | Chain |
| 8 | 84000317 | | Chain |
| 9 | 80440780 | HN440780 | Ground speed variator |
| 10 | 80230164 | HN230164 | Eccentric shaft drive |

NEW HOLLAND TX36

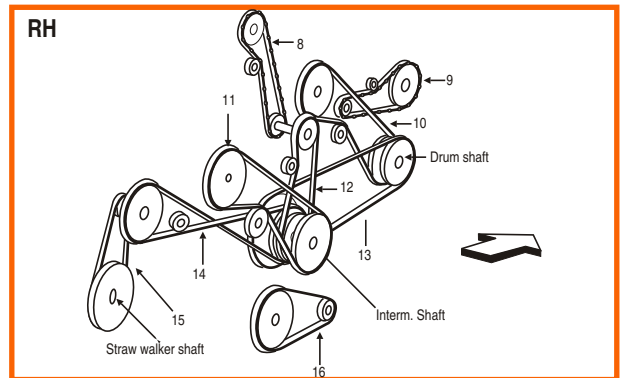


| ITEM | OEM REF. | PIX REF. | DESCRIPTION |
|------|----------|-----------|------------------------------|
| 1 | 80455865 | HN455865 | Beater to intermediate shaft |
| 2 | 80922911 | HN922911 | Engine to beater shaft |
| 2 | 89831571 | HN9831571 | 4HB engine to beater shaft |
| 3 | 89512971 | HN9512971 | Unloading auger engaging |
| 4 | 80433746 | HN433746 | 2HB straw elevator drive |
| 4 | 89504547 | HN9504547 | 2HB straw elevator drive |
| 5 | 80434222 | HN434222 | 2HB beater to straw elevator |
| 5 | 80350236 | HN350236 | 3HB beater to straw elevator |
| 6 | 80448794 | HN448794 | Cleaning shoe drive |
| 7 | 80451356 | HN451356 | Chain |
| 8 | 80230164 | HN230164 | Eccentric shaft drive |

NEW HOLLAND TX36



| ITEM | OEM REF. | PIX REF. | DESCRIPTION |
|------|----------|-----------|-----------------------------|
| 1 | 80913151 | HN913151 | Cooling fan drive |
| 2 | 80443634 | HN443634 | Water pump drive |
| 3 | 80913153 | HN913153 | Rotary dust screen drive |
| 3 | 89817959 | HN9817959 | Rotary dust screen drive |
| 4 | 89501182 | HN9501182 | Belt alternator drive |
| 4 | 80747177 | HN747177 | Belt alternator drive |
| 5 | 89506748 | HN9506748 | Belt compressor drive |
| 6 | 80923019 | HN923019 | Belt dust screen |
| 7 | 89508557 | HN9508557 | Belt set hyd pump to engine |



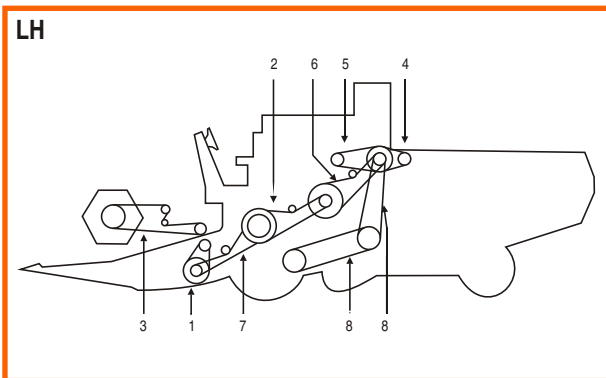
| ITEM | OEM REF. | PIX REF. | DESCRIPTION |
|------|----------|-----------|----------------------------|
| * 8 | 80434154 | | Chain |
| * 9 | 80267157 | | Chain |
| * 10 | 89513984 | HN9513984 | Beater drive |
| * 11 | 89817439 | HN9817439 | Rotary separator drive |
| * 12 | 84015852 | HN4015852 | Grain storage drive |
| * 13 | 89832601 | HN9832601 | Drum to intermediate shaft |
| * 14 | 80754389 | HN754389 | Straw walker interm drive |
| * 15 | 80754388 | HN754388 | Straw walker drive |
| * 16 | 89502654 | HN9502654 | Cleaning fan vari-drive |

* The text in *italics* indicates part numbers that belongs to RHS of the image.

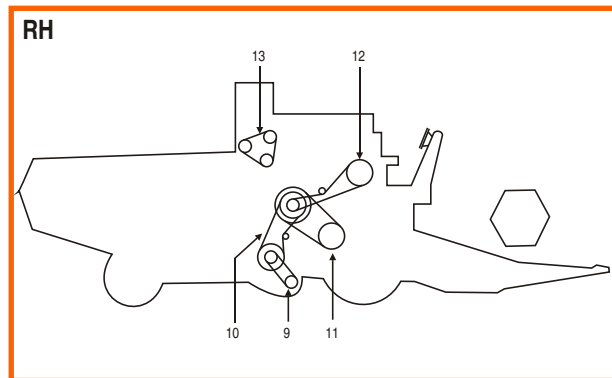
NEW REFERENCES

| ITEM | OEM REF. | PIX REF. | Description |
|------|-----------|------------|---|
| 1 | 80923019 | HN80923019 | Dust Screen Drive (alt) TX 32 - 36 |
| 2 | 9817814 | HN89817814 | Dust Screen Drive (alt) TX 32 - 36 |
| 3 | 9818830 | HN89818830 | Dust Screen Drive TX 66 - 68 |
| 4 | 84015852 | HN84015852 | "Bubble Up" Box Drive TX 62 - 67 |
| 5 | 80913151 | HN80913151 | Cooling Fan Drive TX 32 - 36 |
| 6 | 80754389 | HN80754389 | Straw Walker Intermediate Drive TX range |
| 7 | 89513984 | HN89513984 | Beater Drive TX range |
| 8 | 9850770 | HN89850770 | Rotary Separator Drive TX 62 - 68 |
| 9 | 84015531 | HN84015531 | Rotary Separator Drive TX 62 - 67 |
| 10 | 89817439 | HN89817439 | Rotary Screen TX 32 |
| 11 | 9514989 | HN89514989 | Straw Elevator Drive TX 32 - 36 |
| 12 | 80434222 | HN80434222 | Beater to Front Elevator TF and TX range |
| 13 | 80443634 | HN80443634 | Water Pump Drive TX Range with Ford Engine |
| 14 | 80913153 | HN80913153 | Rotary Screen Drive TX 32 - 36 |
| 15 | 9501182 | HN89501182 | Alternator Drive (alt) TX 32 |
| 16 | 89501182 | HN89501182 | Alternator Drive (alt) TX 32 |
| 17 | 80747177 | HN80747177 | Alternator Drive (alt) TX 32 |
| 18 | 754165 | HN80754165 | Compressor Drive Tx34 |
| 19 | 9831515 | HN89831515 | Cooling Fan Drive TC range |
| 20 | 84078581 | HN84078581 | Drum Drive TF & TX ranges |
| 21 | 9833619 | HN89833619 | Rotary Screen Drive TX 62 |
| 22 | 84041518 | HN84041518 | Rotary Screen Drive TX 67 |
| 23 | 9514311 | HN89514311 | Rotary Screen Drive TX 64 - 65 and some TX 32 |
| 24 | 919739 | HN80919739 | Cleaning Fan Drive TX 32 - 36 |
| 25 | 840 23278 | HN84023278 | Fan Variator Drive (alt) TX range |
| 26 | 840 23277 | HN84023277 | Fan Variator Drive (alt) TX range |
| 27 | 950 2654 | HN89502654 | Fan Variator Drive (alt) TX range |
| 28 | 84036070 | HN84036070 | R H Drives TX 67 |

JOHN DEERE 330-430



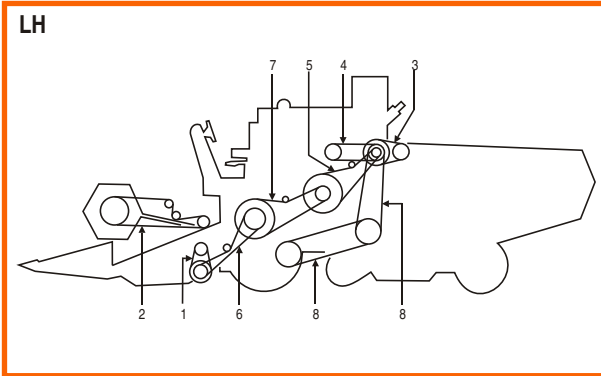
| ITEM | OEM REF. | PIX REF. | DESCRIPTION |
|------|----------|----------|----------------------|
| 1 | Z41178 | HJZ41178 | Reel drive |
| 2 | Z20460 | HJZ20460 | Straw elevator |
| 3 | Z20562 | HJZ20562 | Pick up reel drive |
| 4 | Z21171 | HJZ21171 | Hydraulic pump |
| 5 | Z21400 | HJZ21400 | Tank discharge auger |
| 6 | Z31191 | HJZ31191 | Thresher drum drive |
| 7 | Z23693 | HJZ23693 | Sickle knife drive |



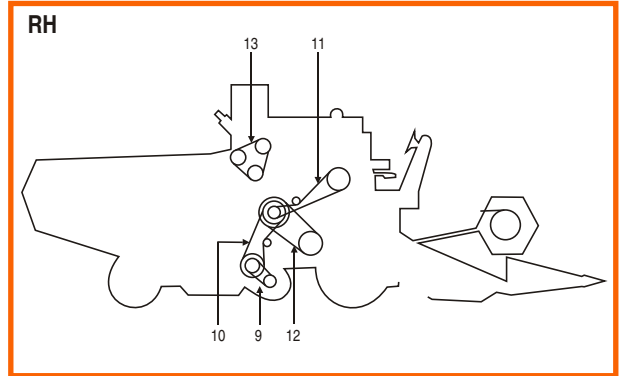
| ITEM | OEM REF. | PIX REF. | DESCRIPTION |
|------|----------|----------|----------------------|
| 8 | Z36120 | HJZ36120 | Wheel land drive |
| * 9 | Z41178 | HJZ41178 | Fan variator |
| * 10 | Z20703 | HJZ20703 | Fan drive |
| * 11 | Z20823 | HJZ20823 | Thresher drum |
| * 12 | Z20743 | HJZ20743 | Tailings auger drive |
| * 13 | T23505 | HJT23505 | Fan drive water pump |

* The text in *italics* indicates part numbers that belongs to RHS of the image.

JOHN DEERE 530-630-730



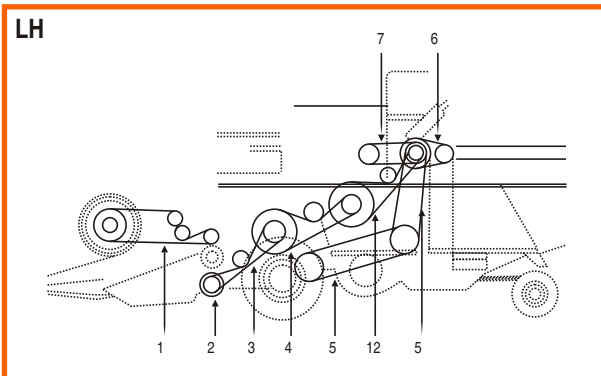
| ITEM | OEM REF. | PIX REF. | DESCRIPTION |
|------|----------|----------|------------------------------|
| 1 | Z20459 | HJZ20459 | Reel drive |
| 2 | Z20562 | HJZ20562 | Reel drive |
| 3 | Z21254 | HJZ21254 | Hydraulic pump 630-730 |
| 3 | Z21171 | HJZ21171 | Hydraulic pump 530 |
| 4 | Z21400 | HJZ21400 | Tank discharge auger 630-730 |
| 4 | Z21398 | HJZ21398 | Tank discharge 530 |
| 5 | Z21403 | HJZ21403 | Rear beater drive |
| 6 | Z21500 | HJZ21500 | Knife drive |



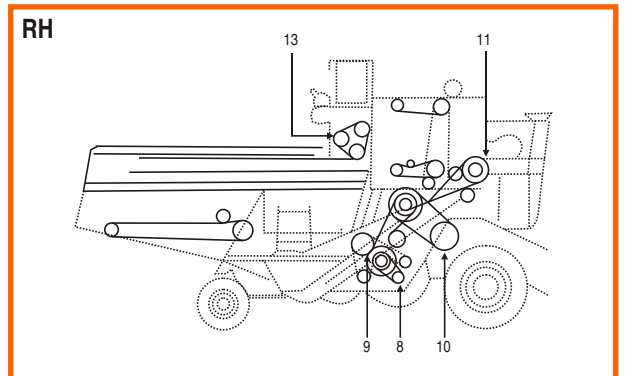
| ITEM | OEM REF. | PIX REF. | DESCRIPTION |
|------|----------|----------|--------------------------|
| 6 | Z25670 | HJZ25670 | Knife drive |
| 7 | Z21501 | HJZ21501 | Cutter unit drive |
| 8 | P40058 | HJP40058 | Wheel drive |
| * 9 | Z20459 | HJZ20459 | Air fan |
| * 10 | Z20703 | HJZ20703 | Rear beater straw walker |
| * 11 | Z20743 | HJZ20743 | Tailings auger |
| * 12 | Z20823 | HJZ20823 | Threshing drum |
| * 13 | T23505 | HJT23505 | Fan drive water pump |

* The text in *italics* indicates part numbers that belongs to RHS of the image.

JOHN DEERE 925



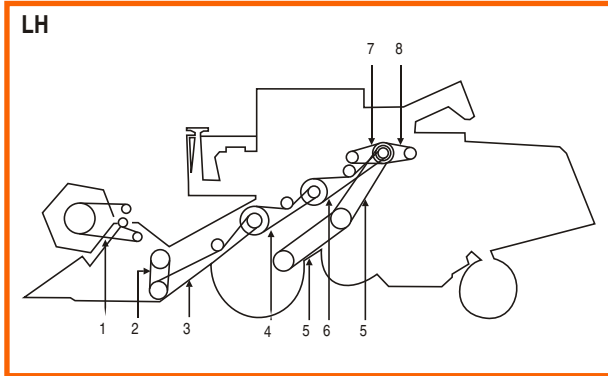
| ITEM | OEM REF. | PIX REF. | DESCRIPTION |
|------|----------|----------|---------------------|
| 1 | Z20562 | HJZ20562 | Reel drive |
| 2 | Z36813 | HJZ36813 | Reel variator drive |
| 3 | Z23693 | HJZ23693 | Knife drive |
| 4 | Z20460 | HJZ20460 | Straw elevator |
| 5 | Z36120 | HJZ36120 | Traction vari drive |
| 6 | Z30593 | HJZ30593 | Hydraulic pump |
| 7 | Z21400 | HJZ21400 | Tank discharge |



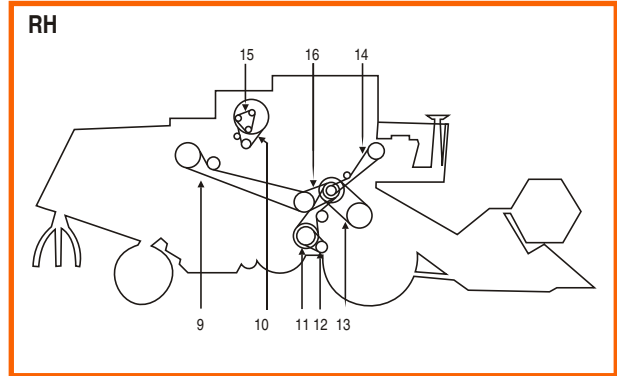
| ITEM | OEM REF. | PIX REF. | DESCRIPTION |
|------|----------|----------|---------------|
| * 8 | Z20459 | HJZ20459 | Air fan |
| * 9 | Z20703 | HJZ20703 | Fan drive |
| * 11 | Z20743 | HJZ20743 | Rotary screen |
| * 13 | T20334 | HJT20334 | Fan drive |

* The text in *italics* indicates part numbers that belongs to RHS of the image.

JOHN DEERE 930-940



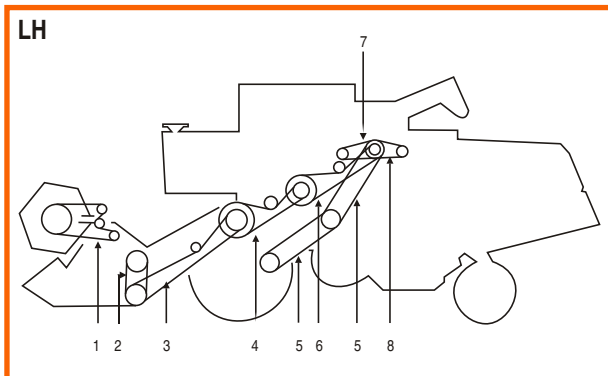
| ITEM | OEM REF. | PIX REF. | DESCRIPTION |
|------|----------|----------|---------------------|
| 1 | Z20562 | HJZ20562 | Reel drive |
| 2 | Z20459 | HJZ20459 | Reel variator drive |
| 3 | Z23693 | HJZ23693 | Knife drive |
| 4 | Z31816 | HJZ31816 | Straw elevator |
| 5 | Z31367 | HJZ31367 | Traction vari drive |
| 6 | Z31191 | HJZ31191 | Threshing drum |
| 7 | Z21400 | HJZ21400 | Tank discharge |
| 8 | Z30593 | HJZ30593 | Hydraulic pump |



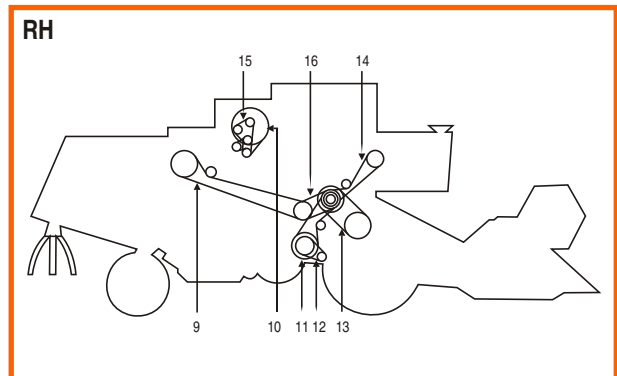
| ITEM | OEM REF. | PIX REF. | DESCRIPTION |
|-------|----------|----------|---------------------|
| * 9 | Z25473 | HJZ25473 | Straw walker |
| * 10 | Z31283 | HJZ31283 | Purify drive |
| * 11 | Z20703 | HJZ20703 | Fan drive |
| * 12 | Z20459 | HJZ20459 | Fan vari drive |
| * 13 | Z20823 | HJZ20823 | Cylinder vari drive |
| * 14 | Z28458 | HJZ28458 | Rotary screen |
| * 15 | T20334 | HJT20334 | Water pump |
| * 16 | Z30920 | HJZ30920 | Straw walker |
| * N/I | Z21403 | HJZ21403 | Main drive |
| * N/I | Z20743 | HJZ20743 | Tailings auger |

* The text in *italics* indicates part numbers that belongs to RHS of the image.

JOHN DEERE 950-960-970



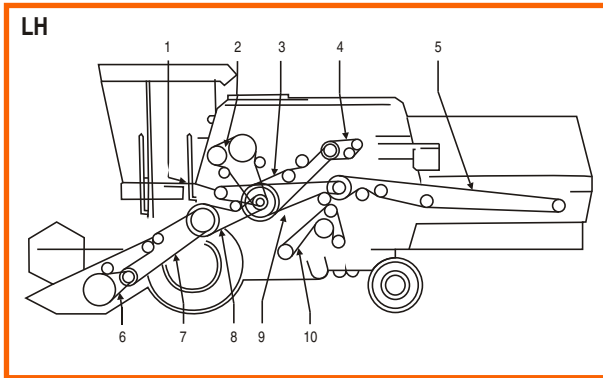
| ITEM | OEM REF. | PIX REF. | DESCRIPTION |
|------|----------|----------|---------------------|
| 1 | Z20562 | HJZ20562 | Reel drive |
| 2 | Z20459 | HJZ20459 | Reel variator drive |
| 3 | Z30130 | HJZ30130 | Knife drive |
| 4 | Z21501 | HJZ21501 | Straw elevator |
| 5 | P40058 | HJP40058 | Traction vari drive |
| 6 | Z29962 | HJZ29962 | Threshing drum |
| 7 | Z21400 | HJZ21400 | Tank discharge |
| 8 | Z30593 | HJZ30593 | Hydraulic pump |



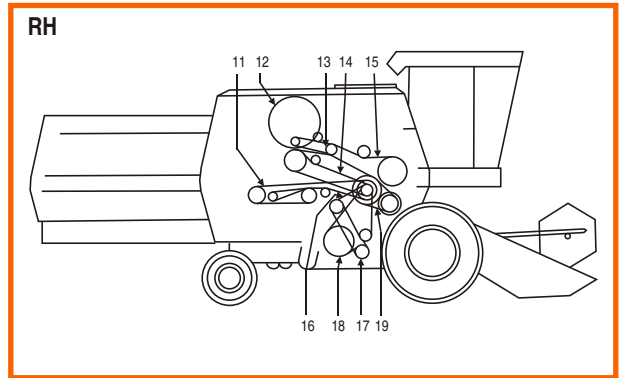
| ITEM | OEM REF. | PIX REF. | DESCRIPTION |
|------|----------|----------|---------------------|
| * 9 | Z30920 | HJZ30920 | Straw walker |
| * 10 | Z31283 | HJZ31283 | Purify drive |
| * 11 | Z20703 | HJZ20703 | Fan drive |
| * 12 | Z20459 | HJZ20459 | Fan vari drive |
| * 13 | Z20823 | HJZ20823 | Cylinder vari drive |
| * 14 | Z28458 | HJZ28458 | Rotary screen |
| * 15 | T20334 | HJT20334 | Water pump |
| * 16 | Z25473 | HJZ25473 | Straw walker |

* The text in *italics* indicates part numbers that belongs to RHS of the image.

MASSEY FERGUSON 24



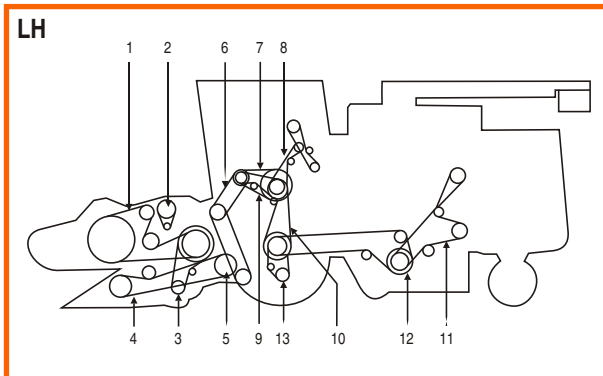
| ITEM | OEM REF. | PIX REF. | DESCRIPTION |
|------|-----------|-------------|-----------------------|
| 1 | D41964300 | HMD41964300 | Returns auger (set 2) |
| 2 | D41972100 | HMD41972100 | Counter shaft |
| 3 | D41991600 | HMD41991600 | Selector drive |
| 4 | D41991400 | HMD41991400 | Hyd. Pump |
| 5 | D41958500 | HMD41958500 | Straw Chopper |
| 6 | D41929400 | HMD41929400 | Feed auger |
| 7 | D41989100 | HMD41989100 | Feed elevator |
| 8 | D41988900 | HMD41988900 | Upper feed shaft |
| 9 | D41955900 | HMD41955900 | Straw chopper |
| 10 | D41972800 | HMD41972800 | Eccentric shaft |



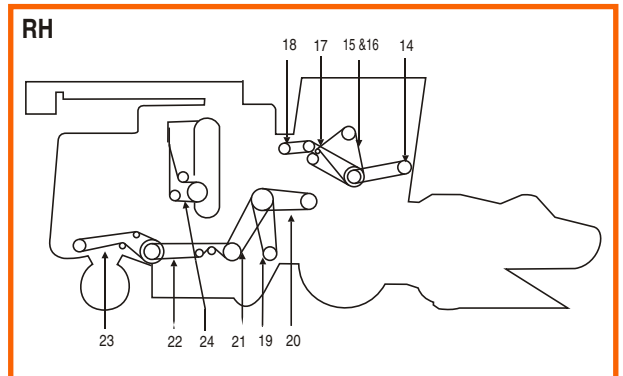
| ITEM | OEM REF. | PIX REF. | DESCRIPTION |
|------|------------------|--------------------|---------------------------|
| * 11 | <i>D41978500</i> | <i>HMD41978500</i> | <i>Awner shaft</i> |
| * 12 | <i>D41912300</i> | <i>HMD41912300</i> | <i>Rotary screen</i> |
| * 13 | <i>D41927800</i> | <i>HMD41927800</i> | <i>Intermediate shaft</i> |
| * 14 | <i>D41935700</i> | <i>HMD41935700</i> | <i>Grain elevator</i> |
| * 15 | <i>D41988700</i> | <i>HMD41988700</i> | <i>Discharge auger</i> |
| * 16 | <i>D41926300</i> | <i>HMD41926300</i> | <i>Fan variator</i> |
| * 17 | <i>D41930300</i> | <i>HMD41930300</i> | <i>Main fan drive</i> |
| * 18 | <i>D41935500</i> | <i>HMD41935500</i> | <i>Eccentric shaft</i> |
| * 19 | <i>D41980800</i> | <i>HMD41980800</i> | <i>Threshing drum</i> |

* The text in *italics* indicates part numbers that belongs to RHS of the image.

MASSEY FERGUSON 760/765/780/860/865



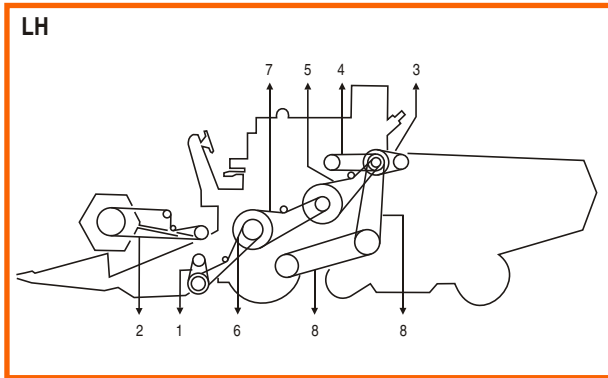
| ITEM | OEM REF. | PIX REF. | DESCRIPTION |
|------|-----------|----------|---------------------|
| 1 | 834140M1 | HM834140 | Reel drive |
| 2 | 8333768M1 | HM833768 | Reel variator drive |
| 3 | 834139M1 | HM834139 | Reel drive |
| 4 | 834058M1 | HM834058 | Wobble box |
| 4 | 842809M1 | HM842809 | Wobble box |
| 5 | 833566M1 | HM833566 | Hydro traction X2 |
| 6 | 833858M2 | HM833858 | Traction Drive X2 |
| 7 | 833374M1 | HM833374 | Main drive |
| 8 | 833867M1 | HM833867 | Intake air |
| 9 | 833862M1 | HM833862 | Discharge/collector |
| 10 | 274015M91 | HM274015 | Fan drive |
| 11 | 833860M1 | HM833860 | Straw walker X2 |
| 12 | 273757M91 | HM273757 | Shaker shoe |
| 13 | 833863M1 | HM833863 | Fanning mill |
| 13 | 842419M1 | HM842419 | Fanning mill |



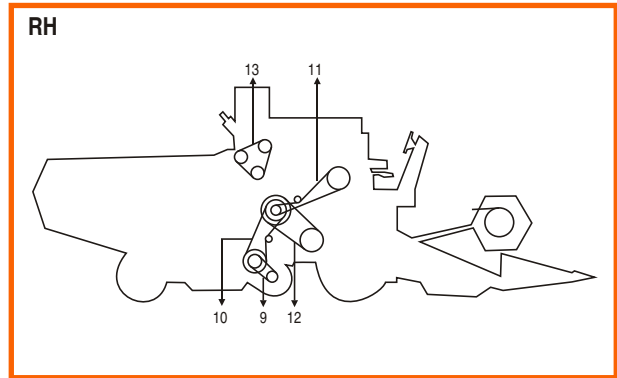
| ITEM | OEM REF. | PIX REF. | DESCRIPTION |
|------|------------------|-----------------|----------------------------|
| * 14 | <i>222882M2</i> | <i>HM222882</i> | <i>Hydraulic pump</i> |
| * 14 | <i>842413M1</i> | <i>HM842413</i> | <i>Hydraulic pump</i> |
| * 15 | <i>274252M91</i> | <i>HM274252</i> | <i>Generator drive</i> |
| * 16 | <i>273837M91</i> | <i>HM273837</i> | <i>Generator drive</i> |
| * 17 | <i>274339M91</i> | <i>HM274339</i> | <i>Fan drive</i> |
| * 17 | <i>833870M1</i> | <i>HM833870</i> | <i>Fan drive</i> |
| * 18 | <i>843045M1</i> | <i>HM843045</i> | <i>Air conditioning</i> |
| * 19 | <i>842845M1</i> | <i>HM842845</i> | <i>Hydrostat reel</i> |
| * 20 | <i>833868M2</i> | <i>HM833868</i> | <i>Cylinder vari drive</i> |
| * 21 | <i>833871M1</i> | <i>HM833871</i> | <i>Straw chopper</i> |
| * 22 | <i>832866M2</i> | <i>HM832866</i> | <i>Chopper drive</i> |
| * 23 | <i>833872M1</i> | <i>HM833872</i> | <i>Chopper final drive</i> |
| * 24 | <i>833854M2</i> | <i>HM833854</i> | <i>Returns elevator</i> |

* The text in *italics* indicates part numbers that belongs to RHS of the image.

LAVERDA M100M120



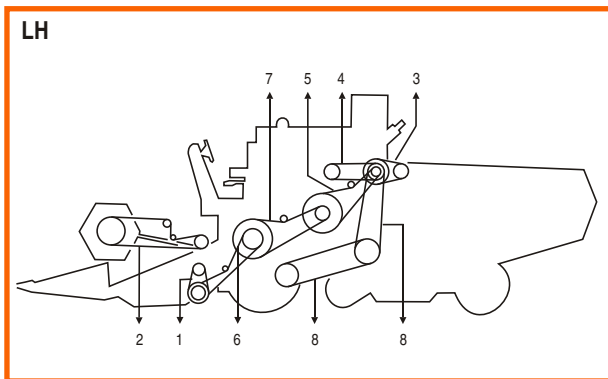
| ITEM | OEM REF. | PIX REF. | DESCRIPTION |
|------|----------|----------|---------------------------|
| 1 | 432232 | HL432232 | Hyd pump |
| 2 | 432250 | HL432250 | Fan drive |
| 3 | 432433 | HL432433 | Grain & tailings auger |
| 4 | 432436 | HL432436 | De-awner paddle drive |
| 5 | 432437 | HL432437 | De-awner beater drive |
| 6 | 433435 | HL433435 | Reel drive M120 |
| | 433430 | HL433430 | Reel drive M100 |
| | 433430 | HL433430 | Straw walker M120 |
| | 433531 | HL433531 | Upper elevator drive M120 |



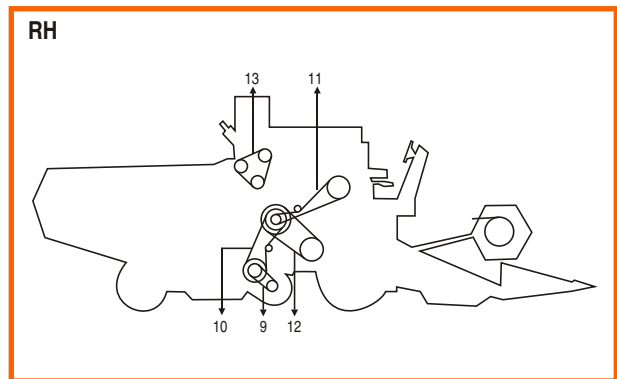
| ITEM | OEM REF. | PIX REF. | DESCRIPTION |
|------|----------|----------|----------------------------|
| 7 | 433430 | HL433430 | Central return drive M100 |
| 8 | 433537 | HL433537 | Central return drive M120 |
| 9 | 434140 | HL434140 | Reel variator speed M120 |
| 10 | 434250 | HL434250 | Threshing drive M120 |
| * 11 | 435127 | HL435127 | Traction drive |
| | 432244 | HL432244 | Grain tank discharge drive |
| | 435117 | HL435117 | Beater drum drive |
| | 007108 | 007108 | Alternator/water pump |

* The text in *italics* indicates part numbers that belongs to RHS of the image.

LAVERDA 3350 ex. m 112cl



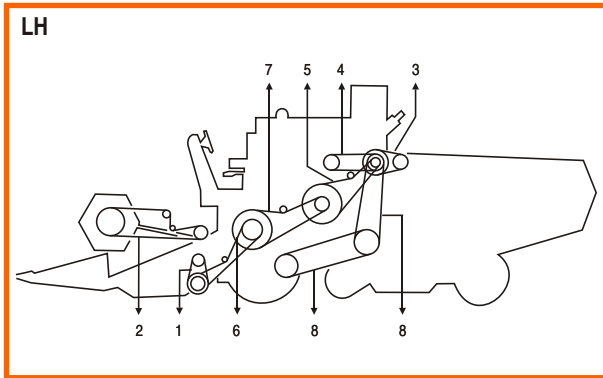
| ITEM | OEM REF. | PIX REF. | DESCRIPTION |
|------|----------|----------|----------------------|
| 1 | 433182 | HL433182 | Fan |
| 2 | 433531 | HL433531 | Feed elevator |
| 3 | 431122 | HL431122 | Threshing drive |
| 4 | 433417 | HL433417 | Grain tank discharge |
| 5 | 432244 | HL432244 | Hyd pump |
| 6 | 311212 | HL311212 | Hyd pump |
| | 433289 | HL433289 | Corn elevator |
| | 433455 | HL433455 | Straw walker |
| | 433537 | HL433537 | Main drive |
| | 433410 | HL433410 | Main feed |



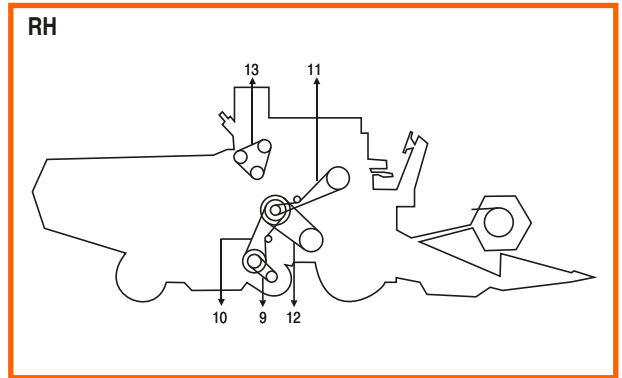
| ITEM | OEM REF. | PIX REF. | DESCRIPTION |
|------|----------|----------|-------------------------|
| 7 | 433409 | HL433409 | Main feed primary |
| 8 | 433430 | HL433430 | Grain shaker |
| 9 | 433236 | HL433236 | |
| 10 | 433456 | HL433456 | De awning return |
| * 11 | 433134 | HL433134 | Rotary filter secondary |
| | 433162 | HL433162 | Rotary filter primary |
| | 435146 | HL435146 | |
| | 434140 | HL434140 | Reel variator |
| | 433456 | HL433456 | Reel drive |

* The text in *italics* indicates part numbers that belongs to RHS of the image.

LAVERDA M132



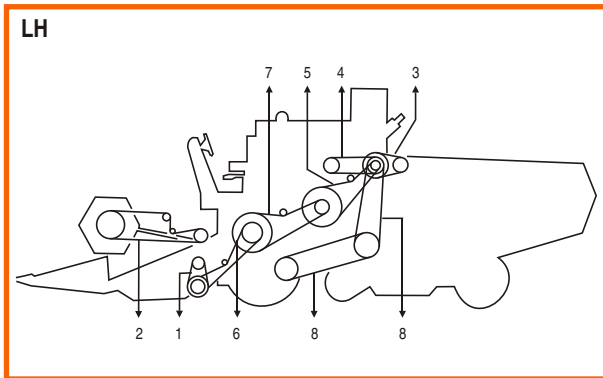
| ITEM | OEM REF. | PIX REF. | DESCRIPTION |
|------|----------|-----------|----------------------------|
| 1 | 433435 | HL433435 | Reel drive |
| 2 | 433316 | HL433316 | Reel drive 1978 |
| 3 | 434140 | HL434140 | Reel variator speed |
| 4 | 434138 | HL434138 | Reel variator speed 1978 |
| 5 | 433182 | HL433182 | Fan |
| 6 | 433531 | HL433531 | Upper shaft elevator drive |
| | 431122 | HL431122 | Threshing drive |
| | 4311316 | HL4311316 | Threshing drive 1978 |
| | 433417 | HL433417 | Grain tank discharge |
| | 432243 | HL432243 | Hyd pump |
| | 432244 | HL432244 | Hyd pump |
| | 435127 | HL435127 | Traction drive |



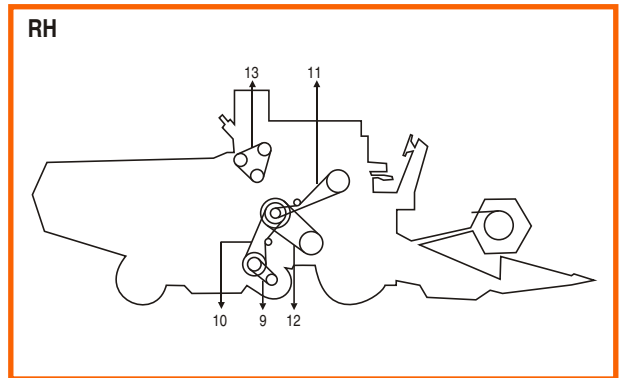
| ITEM | OEM REF. | PIX REF. | DESCRIPTION |
|------|----------|----------|-----------------------|
| 7 | 433537 | HL433537 | Central return drive |
| 8 | 433289 | HL433289 | Grain tank fan |
| 9 | 433455 | HL433455 | Straw walker |
| 10 | 433430 | HL433430 | Grain&tailings auger |
| * 11 | 433409 | HL433409 | Fan drive |
| | 433418 | HL433418 | Fan drive 1978 |
| | 433410 | HL433410 | Fan drive |
| | 433236 | HL433236 | Selector auger |
| | 433456 | HL433456 | De awning returns |
| | 433134 | HL433134 | Rotary filter returns |
| | 433162 | HL433162 | Rotary filter returns |
| | 435125 | HL435125 | Cylinder variator |

* The text in *italics* indicates part numbers that belongs to RHS of the image.

LAVERDA 3350 exm112



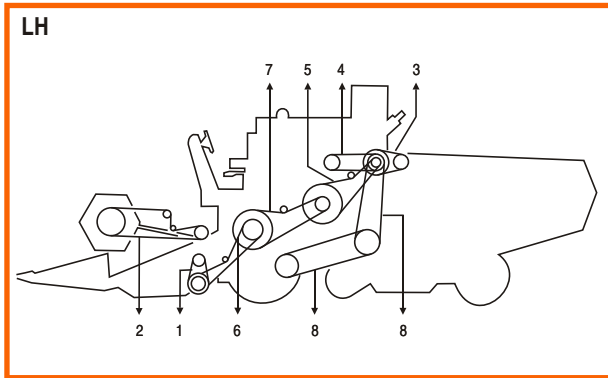
| ITEM | OEM REF. | PIX REF. | DESCRIPTION |
|------|----------|----------|----------------------|
| 1 | 434138 | HL434138 | Reel variator |
| 2 | 434140 | HL434140 | Reel variator |
| 3 | 433182 | HL433182 | Fan variator |
| 4 | 431122 | HL431122 | Drum variator |
| 5 | 433418 | HL433418 | Conveyor |
| 6 | 311222 | HL311222 | Threshing drive |
| | 433417 | HL433417 | Grain tank discharge |
| | 435127 | HL435127 | Traction drive |
| | 432243 | HL432243 | Oil pump |
| | 433244 | HL433244 | Hyd pump |
| | 433537 | HL433537 | Central return |
| | 433289 | HL433289 | Grain elevator |



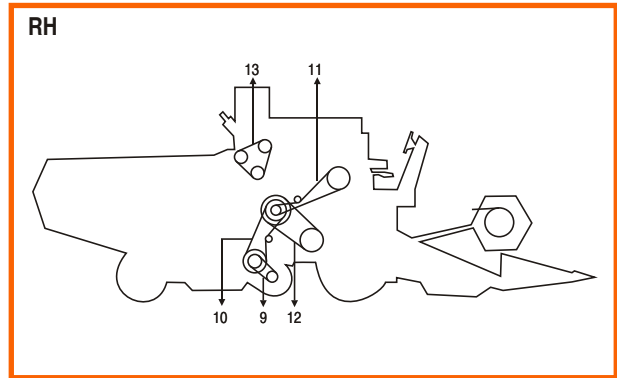
| ITEM | OEM REF. | PIX REF. | DESCRIPTION |
|------|----------|----------|-------------------------|
| 7 | 433455 | HL433455 | Straw walker |
| 8 | 433430 | HL433430 | Grain tailings elevator |
| 9 | 433409 | HL433409 | Fan regulator drive |
| 10 | 433410 | HL433410 | Fan drive |
| * 11 | 433531 | HL433531 | Elevator drive |
| | 433316 | HL433316 | Reel drive |
| | 433435 | HL433435 | Reel drive |
| | 433456 | HL433456 | De-awning return |
| | 433236 | HL433236 | Selector auger |
| | 433134 | HL433134 | Rotary filter |
| | 433162 | HL433162 | Rotary filter primary |
| | 351146 | HL351146 | Drum variator |

* The text in *italics* indicates part numbers that belongs to RHS of the image.

LAVERDA 3450



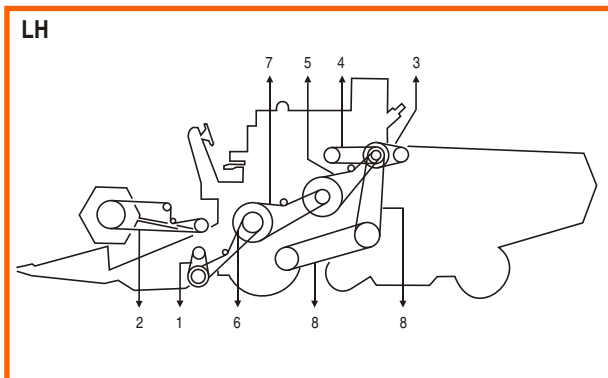
| ITEM | OEM REF. | PIX REF. | DESCRIPTION |
|------|----------|----------|----------------------|
| 1 | 433316 | HL433316 | Reel drive |
| 2 | 433435 | HL433435 | Reel drive |
| 3 | 434138 | HL434138 | Reel variator |
| 4 | 434140 | HL434140 | Reel variator |
| 5 | 433182 | HL433182 | Fan |
| 6 | 433531 | HL433531 | Elevator |
| | 431122 | HL431122 | Threshing drive |
| | 311316 | HL311316 | Threshing drive 1978 |
| | 433417 | HL433417 | Grain tank discharge |
| | 432243 | HL432243 | Hyd pump |
| | 432244 | HL432244 | Hyd pump |
| | 435127 | HL435127 | Variator drive |



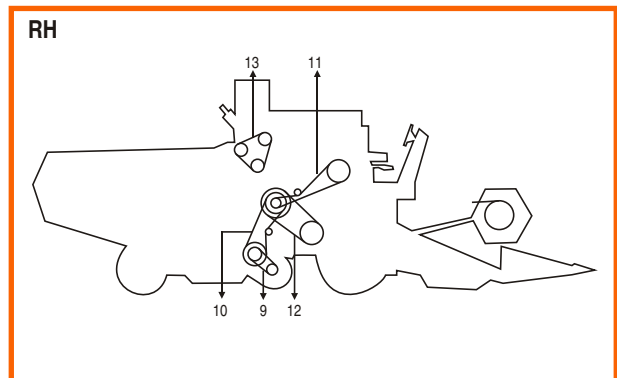
| ITEM | OEM REF. | PIX REF. | DESCRIPTION |
|------|----------|----------|------------------------------|
| 7 | 433537 | HL433537 | Variator drive |
| 8 | 433289 | HL433289 | Fan |
| 9 | 433455 | HL433455 | Straw walker |
| 10 | 433430 | HL433430 | Grain & tailings |
| * 11 | 433409 | HL433409 | Main feed |
| | 433410 | HL433410 | Main feed secondary |
| | 433418 | HL433418 | Conveyor |
| | 433236 | HL433236 | |
| | 433456 | HL433456 | De awning return |
| | 433134 | HL433134 | Rotary filter return |
| | 433162 | HL433162 | Rotary filter return primary |
| | 435125 | HL435125 | Drum drive |

* The text in *italics* indicates part numbers that belongs to RHS of the image.

LAVERDA 3300/3300cl

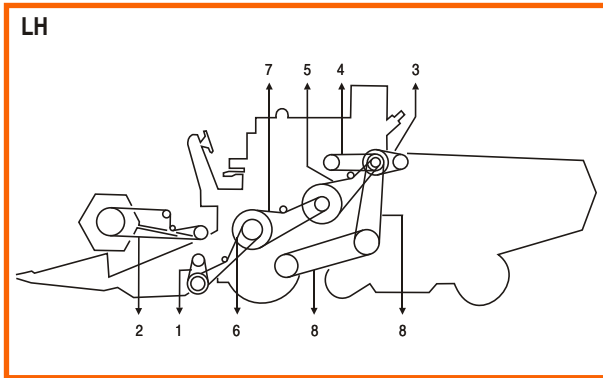


| ITEM | OEM REF. | PIX REF. | DESCRIPTION |
|------|----------|----------|----------------|
| 1 | 433458 | HL433458 | Reel drive |
| 2 | 311217 | HL311217 | Thresher drive |
| 3 | 433252 | HL433252 | |
| 4 | 433239 | HL433239 | Hyd pump |
| 5 | 311212 | HL311212 | Drive variator |
| 6 | 433412 | HL433412 | |

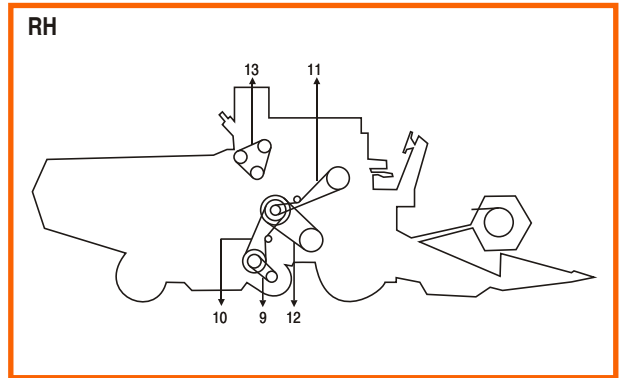


| ITEM | OEM REF. | PIX REF. | DESCRIPTION |
|------|----------|----------|--------------------------|
| 7 | 433970 | HL433970 | Straw walker/sieve drive |
| 8 | 433283 | HL433283 | |
| 9 | 433432 | HL433432 | Elevator |
| 10 | 435138 | HL435138 | Drum drive |
| * 11 | 433176 | HL433176 | Fan |
| | 433188 | HL433188 | Fan drive |

LAVERDA 3600/3700/3790



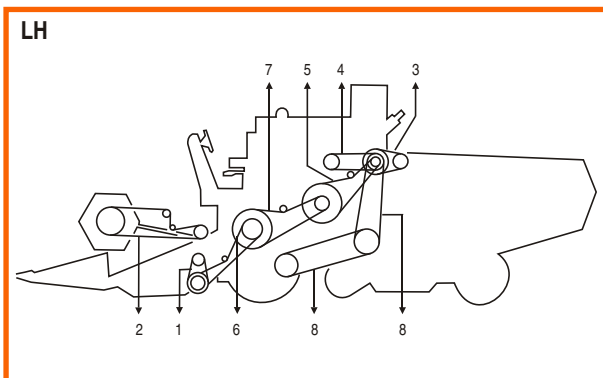
| ITEM | OEM REF. | PIX REF. | DESCRIPTION |
|------|----------|----------|------------------------|
| 1 | 311127 | HL311127 | Feed elevator not 3790 |
| 2 | 433983 | HL433983 | Feed elevator not 3790 |
| 3 | 435130 | HL435130 | Drum variator |
| 4 | 433424 | HL433424 | Fan |
| 5 | 311134 | HL311134 | Grain shaker |
| 6 | 433458 | HL433458 | Straw walker |
| | 311217 | HL311217 | Hyd pump |
| | 432243 | HL432243 | Oil pump |
| | 433129 | HL433129 | Compressor drive |



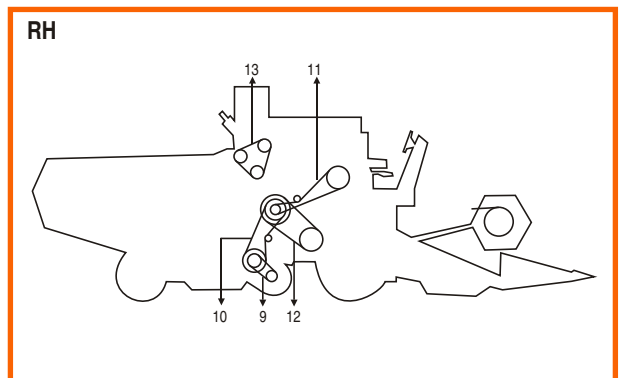
| ITEM | OEM REF. | PIX REF. | DESCRIPTION |
|------|----------|----------|-------------------------|
| 7 | 433467 | HL433467 | Shaker shoe |
| 8 | 433540 | HL433540 | Drive |
| 9 | 311318 | HL311318 | Drum variator |
| 10 | 434138 | HL434138 | Reel variator |
| * 11 | 433418 | HL433418 | Auger drive |
| | 433144 | HL433144 | Rotary filter secondary |
| | 433184 | HL433184 | Rotary filter primary |
| | 435124 | HL435124 | Drum variator |

* The text in *italics* indicates part numbers that belongs to RHS of the image.

LAVERDA 3900



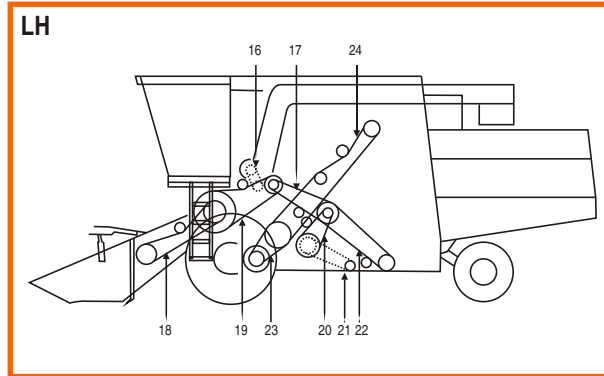
| ITEM | OEM REF. | PIX REF. | DESCRIPTION |
|------|----------|----------|----------------|
| 1 | 434138 | HL434138 | Reel variator |
| 2 | 311418 | HL311418 | Drum drive |
| 3 | 433038 | HL433038 | Compressor |
| 4 | 311314 | HL311314 | Hyd. Pump |
| 5 | 433540 | HL433540 | Traction drive |
| 6 | 433256 | HL433256 | Oil pump |



| ITEM | OEM REF. | PIX REF. | DESCRIPTION |
|------|----------|----------|----------------|
| 7 | 433457 | HL433457 | Straw elevator |
| 8 | 433418 | HL433418 | Conveyor drive |
| 9 | 433424 | HL433424 | Fan |
| 10 | 311134 | HL311134 | Grain shaker |
| * 11 | 433143 | HL433143 | Rotary filter |

* The text in *italics* indicates part numbers that belongs to RHS of the image.

DEUTZ FAHR TOPLINER 460



| ITEM | OEM REF. | PIX REF. | DESCRIPTION |
|------|----------|-------------|-------------------|
| 16 | 01145093 | HDF01145093 | Grain tank unload |
| 17 | 01145051 | HDF01145051 | Straw walker set |
| 18 | 01143412 | HDF01143412 | Feeder |
| 19 | 01141608 | HDF01141608 | Feed drive |
| 20 | 01143413 | HDF01143413 | Walker drive |
| 21 | 01145087 | HDF01145087 | Shaker drive |
| 22 | 01145025 | HDF01145025 | Walker drive |
| 23 | 01141944 | HDF01141944 | Variator drive |
| 24 | 01145102 | HDF01145102 | Engine drive |
| N/I | 01145050 | HDF01145050 | Stripper drum |

NEW REFERENCES - "CASE"

| ITEM | OEM REF. | PIX REF. | Description |
|------|-----------|-----------|--|
| 1 | 244420A1 | HI244420 | Rotor Drive 1660, 2166, 2365, 2366 |
| 2 | 244422A1 | HI244422 | Rotor Drive 1680, 2188 |
| 3 | 191241C3 | HI191241 | Separator Drive 1660, 2166, 2365, 2366 |
| 4 | 1330499C1 | HI1330499 | Separator Drive 1680 up to 114634 |
| 5 | 1541702C1 | HI1541702 | Separator Drive 1680 from 114635 |

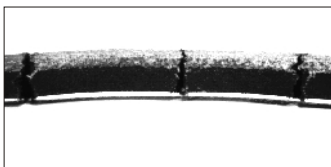
PREVENTIVE MAINTENANCE TIPS

| Problems | Causes | Remedies |
|-----------------------------|--|--|
| Belt turnover in pulleys | • Poor drive alignment | • Realign |
| | • Incorrect pulley groove or excessive wear in grooves | • Renew or replace pulleys |
| | • Excessive belt flap | • Use an idler on slack side |
| | • Low belt tension | • Retension |
| | • Worn out belts | • Replace with new belts |
| | • Ingress of foreign material | • Use more effective drive guard |
| Excessive wear | • Incorrect pulley section | • Renew or replace pulleys |
| | • Excessive wear in pulley groove | • Renew or re-machine pulleys |
| | • Poor drive alignment | • Realign |
| | • Small pulley diameter than recommended | • Redesign using correct pulley diameter. |
| | • Belt catching on protruding parts | • Remove protrusion or move drive away |
| Excessive noise | • Poor drive alignment | • Realign |
| | • Incorrect belt tension | • Retension |
| | • Overloaded | • Check drive details and redesign |
| | • Unbalanced pulleys | • Redesign, if necessary balance the pulleys |
| Belt swelling or softening | • Contamination by oil or other chemicals | • Protect the drive from contamination, clean pulley grooves. If contamination cannot be prevented use PIX AOH V- Belts. |
| Unusual belt stretch | • Worn out badly damaged grooves | • Re-machine or renew pulleys |
| | • Used belts & new belts are mixed up on drive | • Replace with completely new set of V-Belts |
| | • Belts from different manufacturers | • For using a matched set, belts must be from one manufacturer |
| Belt breaking after fitment | • Forcing belt over pulleys when fitting, damaging the cord and cover | • Reduce drive centre distance to fit belt |
| | • Ingress of foreign material | • Fit an effective guard |
| | • Insufficient belt or wrong section or drive | • Check drive design and fit correct number or section of belts |
| | • Drive stalled | • Ascertain cause and rectify |
| Cannot be re-tensioned | • Insufficient allowance for stretch in drive design | • Give sufficient allowance for take-up |
| | • Excessive stretch caused by insufficient belts or wrong belt section for drive | • Recalculate drive design and modify |
| | • Incorrect belt length | • Use belt of proper length |
| | • Belts from different manufacturers used on the same drive | • Use belts from one manufacturer |

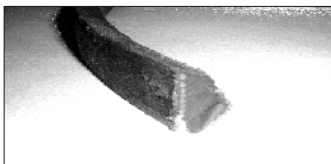
PREVENTIVE MAINTENANCE TIPS

| Problems | Causes | Remedies |
|-----------------------------|---|--|
| Excessive slippage | • Too low belt tension | • Increase belt tension |
| | • Too small area of contact | • Increase shaft centre distance |
| | • Overload | • Redesign belt drive |
| Transversal cracking | • Worn belt or pulley | • Change to new belt or pulley |
| | • Too small pulleys | • Use standard size pulley. |
| | • Outside idler pulleys | • Use inside idler pulley in slack side |
| | • Ambient temperature too high | • Ensure good ventilation and protect from direct heat. |
| | • Ambient temperature too low | • Warm area surrounding the drive |
| Bottom & side of belt burnt | • Abnormal belt slip | • Check drive tension and drive design to ensure correct number of belts |
| | • Belt slipping under starting or stalling load | • Replace belt and tighten drive until slipping stops |
| Belt pulled apart (snapped) | • Worn sheaves | • Replace sheaves |
| | • Extreme shock load | • Remove cause of load |
| | • Misaligned drive | • Check drive alignment |
| | • Foreign particle in the drive | • Use drive guard |

TYPES OF FAILURES



Bottom crack



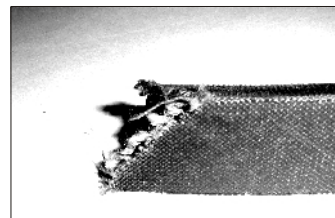
Belt snapped



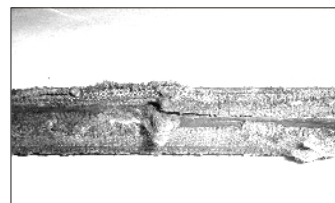
Shining surface due to high slippage



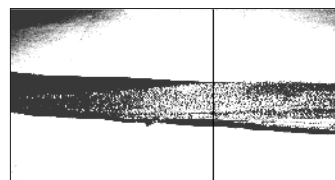
Stuck up and burnt



Belt snapped due to cord break while fitment

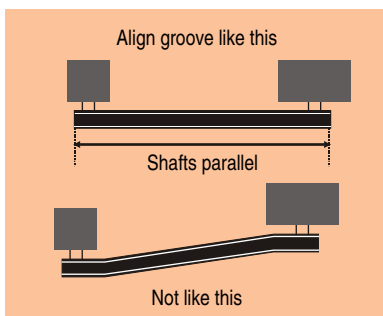
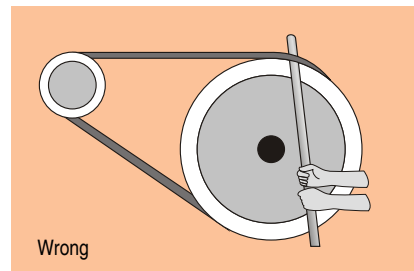
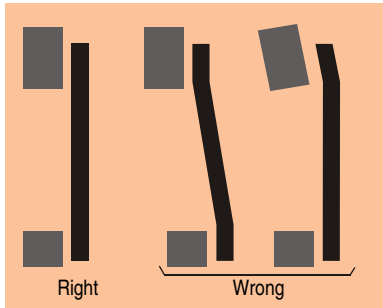


Envelope wear
(side, bottom & top wear-out)



Belt twisted due to belt turnover in pulley

DO'S & DON'TS OF PIX V-BELTS



CORPORATE OFFICE & WORKS
PIX TRANSMISSIONS LIMITED

J-7, M.I.D.C., Hingna Road,
Nagpur - 440 016, Maharashtra, India
Ph.: +91 7104 237729, 236501-4
Fax : +91 7104 236505/6
E-mail : info@pixtrans.com
Web Site : www. Pixtrans.com

EXPORTS OFFICE
PIX TRANSMISSIONS LIMITED

Pals 1st Road, TPS IV, Off. Water Field Road,
Bandra (West), Mumbai - 400 050
Maharashtra, India
Ph.: +91 22 26432674, 26404556
Fax : + 91 22 26402225
E-mail : pixtran@bom2vsnl.net.in
Web Site : www.pixtrans.com

OVERSEAS SUBSIDIARIES



BELTS & HOSES

PIX EUROPE LIMITED

Unit 24, Farthing Road
Industrial Estate, Sproughton
Ipswich IP1 5AP, United Kingdom
Ph.: +44 1473 744612
Fax : +44 1473 744613/14
E-mail : info@pixeuro.com
Web Site : www.pixeuro.com



BELTS & HOSES

PIX SOUTH AMERICA LIMITED

Rua Emilio Goeldi
639 - Agua Branca,
05065-110, Sao Paulo-SP
Brasil
Ph.: +55 11 3611-9000
Fax: +55 11 3611-3661
E-mail : info@pixsam.com
Web Site : www.pixsam.com



BELTS & HOSES

PIX GERMANY GmbH

Nikolaus-Otto-Str.2
Borchen 33178
Germany
Ph.: +49 5251 878 6003
Fax: + 49 5251 878 6009
E-mail : info@pixgermany.com
Web Site : www.pixgermany.com



HYDRAULICS

PIX-Flexequip Hydraulics Limited

Altona Road, Lisburn
Co. Antrim, Northern Ireland
BT27 5QB
Tel.: +44 028 9267 7131
Fax : +44 028 9260 7231
E-mail : info@pixflexequip.com
Website : www.pixflexequip.com